

FE2owlet

for three phase alternating current, 4-4 pole

FNO40-VD



Description

Motor technology: AC
 Rated voltage U_N : 3- 400 V (Δ/Y) ± 10 %*
 Rated frequency f_N : 50 Hz* (60Hz data available)
 Input power P_i : 230/170 W*
 Rated current I_N : 0.46/0.27 A*
 Rated speed n_N : 1360/1080 min^{-1} *
 Starting current I_s : 1.60 / 0.55 A
 Current increase ΔI : 0 %
 Thermal class: THCL155*
 Min. permitted ambient temperature $t_{R(\text{min})}$: -40 °C***
 Max. permitted ambient temperature $t_{R(\text{max})}$: 70 °C
 Electrical connection: Terminal box
 Number of blades: 7
 Protection class: IP54
 Motor protection: thermal contact
 Blades: High Performance Composite Material, uncoated,
 Rotor: Aluminium, 1 coat paint, jet black
 Conformity: ErP 2015, CE

ErP-data

Efficiency η_{statA} : 32.4 %
 Efficiency: $N_{\text{actual}} = 42.7 / N_{\text{target}} = 40$ **

* Rated data

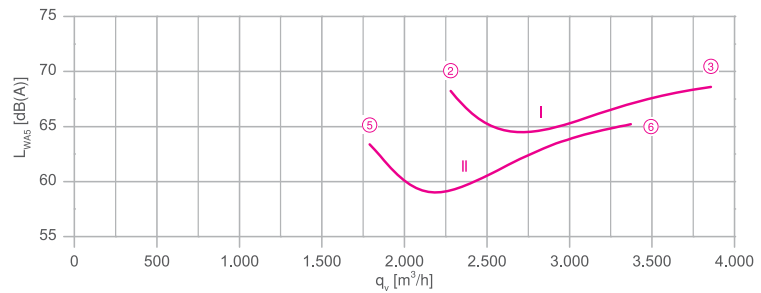
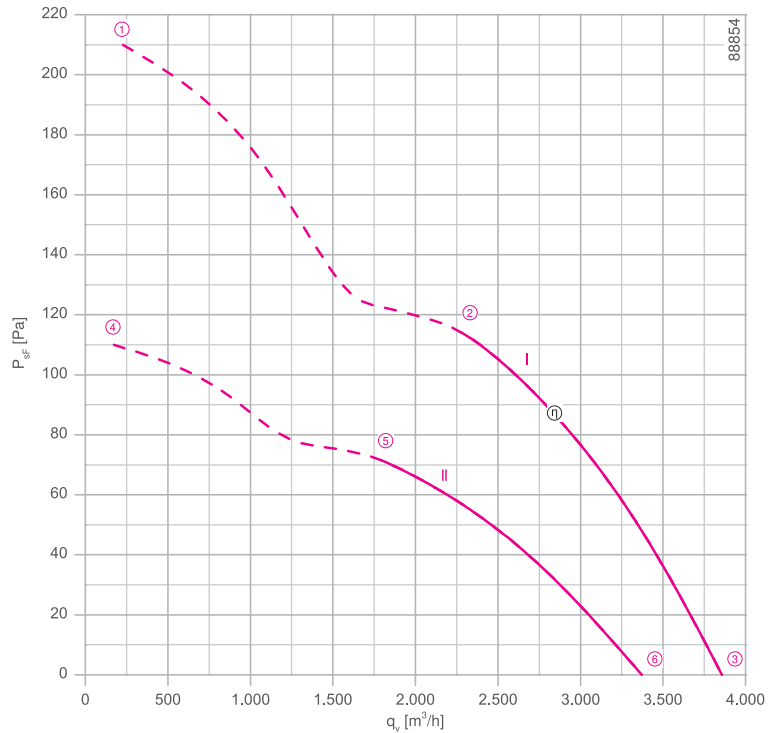
**ErP 2015

*** Continuous operation with occasional starts (S1) according to DIN EN 60034-1:2011-02. Occasional starting between -40 °C and -25 °C is permissible. Continuous operation below -25 °C only with special bearings for refrigeration applications on request.

Connection diagram Page 531
 for airflow direction A 1360-108XB
 for airflow direction V 1360-108XA

System components Page 430

Characteristic curve

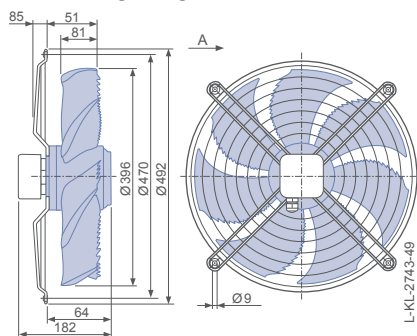


Measured in full bell mouth without guard grille in installation type A according to ISO 5801

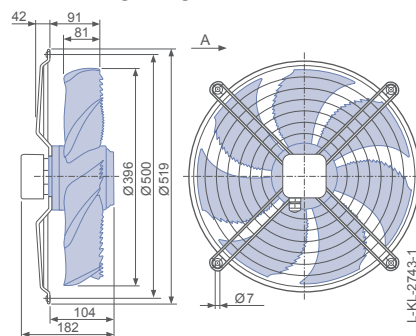
Dimensions mm

Airflow direction A

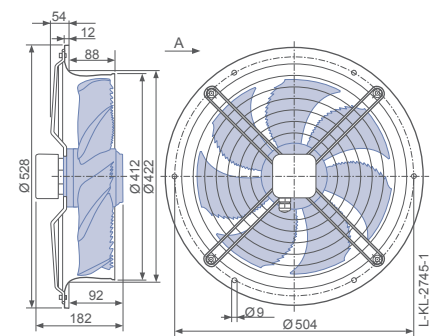
Design W - axial bolted, mounting for short bell mouth, guard grille suction side



Design D - axial bolted, suspension for full bell mouth, guard grille suction side



Design L - round full bell mouth, guard grille suction side



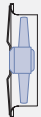





Performance data

Type	Connection	Characteristic curve	Voltage	Operating point	Current	Input power	Speed	Suction side sound power level L_{WA5} dB(A)
			U V					
FN040-VD_0F_7P1	Δ	I	400	①	0.54	300	1310	
			400*	②	0.46*	230*	1360*	69
			400	③	0.40	170	1410	69
	Y	II	400	④	0.31	200	950	
			400*	⑤	0.27*	170*	1080*	64
			400	⑥	0.21	130	1230	65

*rated data

Fan ordering information

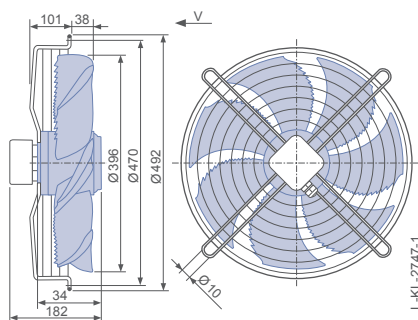
	Airflow direction A			Airflow direction V		
Design	W (guard grille suction side)	D (guard grille suction side)	L (guard grille suction side)	K (guard grille pressure side)	I (guard grille pressure side)	H (guard grille pressure side)
						
Type	FN040-VDW.0F.A7P1	FN040-VDD.0F.A7P1	FN040-VDL.0F.A7P1	FN040-VDK.0F.V7P1	FN040-VDI.0F.V7P1	FN040-VDH.0F.V7P1
Article no.	156642	152902	152903	152907	152905	152906
Weight kg	5.60	5.10	7.80	5.50	5.10	7.80

Control technology

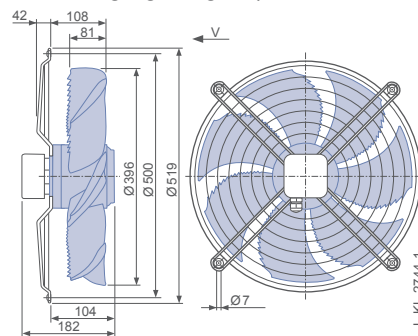
<p>Frequency inverters Fcontrol 3~</p>  <p>Page 480</p>	<p>Motor protection units 3~</p>  <p>Page 518</p>	<p>Electronic voltage controllers 3~</p>  <p>Page 506</p>
---	---	---

Airflow direction V

Design K - axial bolted, mounted for short bell mouth, guard grille pressure side



Design I - axial bolted, mounting for bell mouth flange, guard grille pressure side



Design H - pipe sockets with a flange, guard grille pressure side

