

# FE2owlet

for single phase alternating current, 4 pole

FNO40-4E



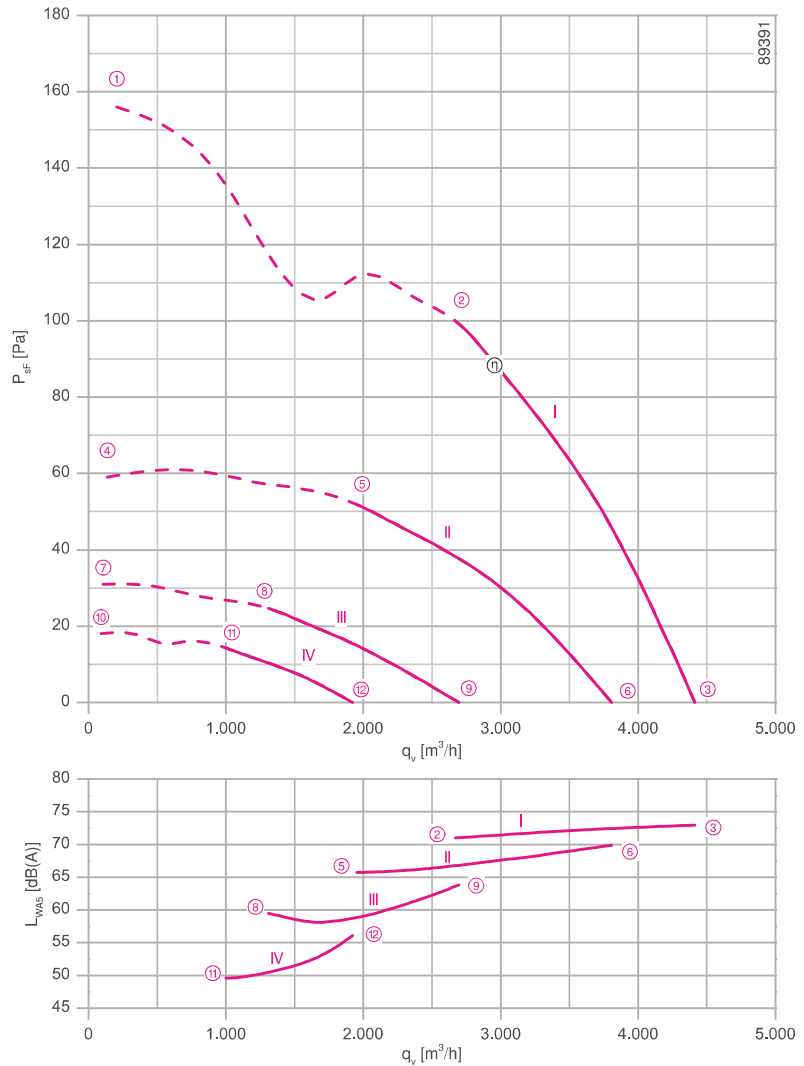
## Description

Motor technology: AC  
 Rated voltage  $U_N$ : 1- 230 V $\pm$ 10 %\*  
 Rated frequency  $f_N$ : 50 Hz\*  
 Motor input power  $P_1$ : 0.26 kW\*  
 Rated current  $I_N$ : 1.15 A\*  
 Rated speed  $n_N$ : 1320 min<sup>-1</sup>\*  
 Current increase  $\Delta I$ : 10 %  
 Service capacitor  $C_{400V}$ : 5.0  $\mu$ F  
 Thermal class: THCL155\*  
 Min. permitted conveyor temperature  $t_{R(min)}$ : -25 °C  
 Max. permitted conveyor temperature  $t_{R(max)}$ : 55 °C  
 Electrical connection: Terminal box  
 Number of blades: 7  
 Protection class: IP54  
 Motor protection: Thermal contact  
 Blades: High Performance Composite Material, uncoated, black  
 Rotor: Aluminium, 1 coat paint, black  
 Conformity: ErP 2015, CE  
**ErP Data**  
 Efficiency  $\eta_{statA}$ : 30.0 %  
 Efficiency:  $N_{actual} = 40.0 / N_{target} = 40$ \*\*  
 \* Rated data  
 \*\*ErP 2015

➤ Connection diagrams Page 608  
 for airflow direction V 1360-104XA  
 for airflow direction A 1360-104XB

➤ System components Page 524

## Characteristic curve

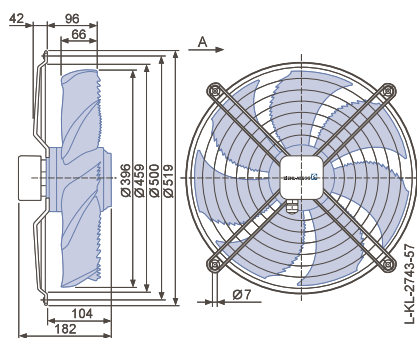


Measured in full bell mouth without guard grille in installation type A according to ISO 5801.

## Dimensions [mm]

### Airflow direction A

Design D - axial bolted, suspension for full bell mouth Q and L





Performance data

Type	Characteristic curve	Voltage	Operating point	Current	Motor input power	Speed	Suction side sound power level
		U [V]		I [A]	P <sub>1</sub> [W]	n [min <sup>-1</sup> ]	L <sub>WAS</sub> [dB]
FN040-4E_OF_7P2	I	230	①	1.45	330	1190	
		230*	②	1.15*	260*	1320*	71
		230	③	0.92	210	1380	73
	II	170	④	1.35	220	730	
		170	⑤	1.25	210	960	66
		170	⑥	1.05	180	1200	70
	III	135	⑦	1.10	150	540	
		135	⑧	1.10	140	660	59
		135	⑨	1.05	140	850	64
	IV	110	⑩	0.92	95	420	
		110	⑪	0.92	95	500	50
		110	⑫	0.90	95	610	56

\*rated data

Fan ordering information

Airflow direction A		Airflow direction V	
Design	D		K
			
Type	FN040-4ED.0F.A7P2		FN040-4EK.0F.V7P2
Article no.	156231		156236
Weight [kg]	5.10		5.70

Control technology

<p>Frequency inverter Fcontrol 1~</p>  <p>➤ Page 552</p>	<p>Motor protection units 1~</p>  <p>➤ Page 596</p>	<p>Transformer-based controllers 1~</p>  <p>➤ Page 587</p>	<p>Electronic voltage controllers 1~</p>  <p>➤ Page 562</p>
---	--	---	---

Airflow direction V

Design K - axial bolted, mounted for short bell mouth E

