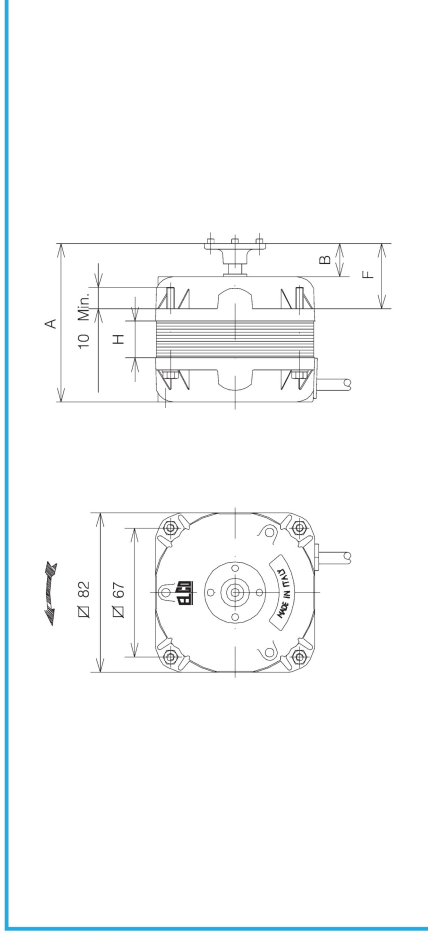


MOTORIN T2

Un tipo di fissaggio possibile:
 • viti sporgenti M4 lato uscita albero per anello/rete.

One type of fixation:
 • M4 protruding screws Drive End for ring/grid.



Prestazioni - Performances

Codice Part Number	Volt	W Out	W In	Amp	RPM	Cavo-Cable mm	Imballo Packing
NET2T05ZVN001	230	5	32	0,20	1300/1550	500	20 Pcs
NET2T10ZVN002	230	10	38	0,23	1300/1550	500	20 Pcs
NET2T16PVN001	230	16	65	0,45	1300/1550	500	15 Pcs
NET2T25PVN001	230	25	95	0,68	1300/1550	500	10 Pcs
NET2T34PVN002	230	34	120	0,87	1300/1550	500	10 Pcs

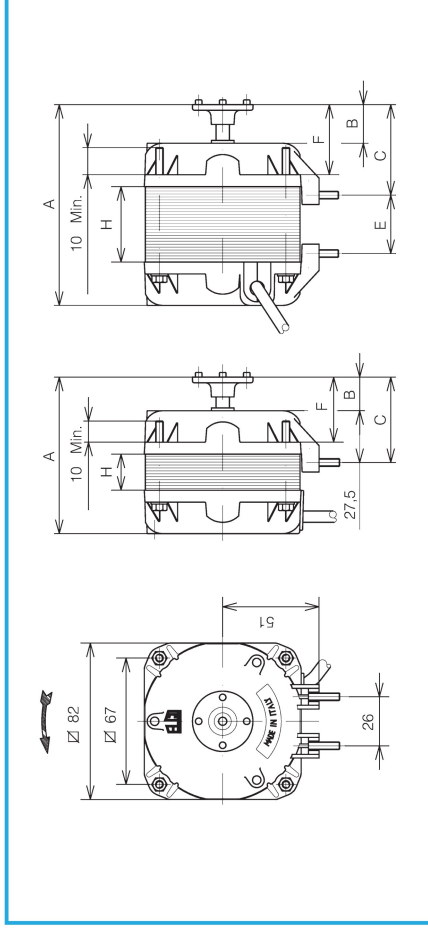
Dimensioni - Dimensions

Codice Part Number	H	A	B	C	D	E	F
NET2T05ZVN001	13	76	17	-	-	-	34
NET2T10ZVN002	20	83	18	-	-	-	34
NET2T16PVN001	25	87	16	-	-	-	33
NET2T25PVN001	40	107	21	-	-	-	37
NET2T34PVN002	45	119	28	-	-	-	40

MOTORIN T3

Due differenti tipi di fissaggio possibili:
 • viti sporgenti M4 lato uscita albero per anello/rete
 • 2 viti M4 in basso per fissaggio con staffa.

Two different types of fixation:
 • M4 protruding screws Drive End for ring/grid
 • 2 x M4 bottom screws for stud mounting.



Prestazioni - Performances

Codice Part Number	Volt	W Out	W In	Amp	RPM	Cavo-Cable mm	Imballo Packing
NET3T05ZVN004	230	5	32	0,20	1300/1550	500	20 Pcs
NET3T10ZVN001	230	10	38	0,23	1300/1550	500	20 Pcs
NET3T16PVN001	230	16	65	0,45	1300/1550	500	15 Pcs
NET3T25PVN004	230	25	95	0,68	1300/1550	500	10 Pcs
NET3T34PVN002	230	34	120	0,87	1300/1550	1000	10 Pcs

Dimensioni - Dimensions

Codice Part Number	H	A	B	C	D	E	F
NET3T05ZVN004	13	76	17	44	-	-	34
NET3T10ZVN001	20	83	18	45	-	-	34
NET3T16PVN001	25	87	16	43	-	-	33
NET3T25PVN004	40	102	16	43	-	31	32
NET3T34PVN002	45	119	28	56	-	36	45