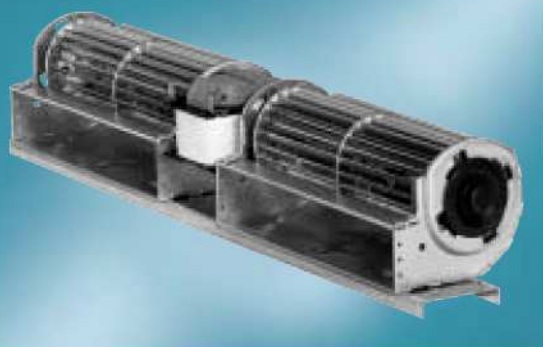


Tangential blowers

QLZ 06 with double housing

- impeller diameter 60 mm
- horizontal mounting position
- permissible ambient temperature 0 - 60°C
- insulation class B, class F or H on request



ebm-papst • Landshut

Nominal data	characteristic curve	rated voltage	frequency	air flow	max. pressure increase	power input	rated current	speed	mass	Dimensions mm					
										type	V	Hz	m ³ /h	Pa	W
QLZ06/1212-3020	①	230	50	140	50	26	210	1500	1,55	340	58	125	135	-	-
QLZ06/1818-3030	②	230	50	250	52	45	400	1550	2,00	468	69	183	196	455	470
QLZ06/2424-3038	③	230	50	300	55	45	350	1150	2,30	591	76	243	253	579	594
QLZ06/3030-3045	④	230	50	420	62	65	550	1500	2,75	720	83	303	313	705	720

Technical data valid at free air flow and rated voltage; bold print = standard type; subject to alterations

Characteristic curves

