

Technical Data Sheet

CODE 17144

LINEO 100

Mixed flow extractor fans



Certifications



IMQ Performance

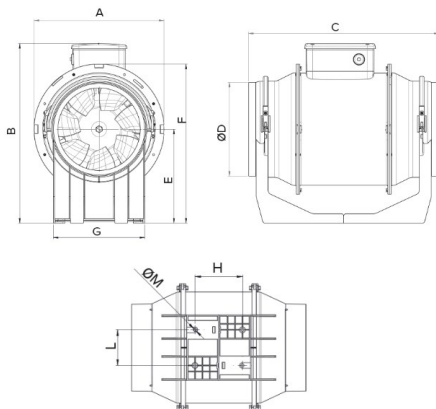


UKCA

TECHNICAL AND PERFORMANCE DATA

Frequency (Hz)	50	Airflow at 1st speed (l/s)	50
Insulation class	II°	Airflow at 1st speed (m³/h)	180
IP	44	Max airflow at Max speed (l/s)	70,8
Max absorbed current at Max speed (A)	0,11	Max airflow at Max speed (m³/h)	255
Max absorbed current at Min speed (A)	0,09	Max pressure at Max speed (mmH2O)	16,5
Max absorbed power at Max speed (W)	23	Max pressure at Max speed (Pa)	161,9
Max ambient temperature for continuous operation (°C)	60	Max RPM	2030
Nominal diameter (mm)	100	Min RPM	1520
Power absorbed at 1st speed (W)	20	Pressure at 1st speed (mmH2O)	13
Voltage (V)	220-240	Pressure at 1st speed (Pa)	127,5
Weight (Kg)	2	Sound pressure at 3 m - min speed Lp [dB (A)] 3m - min speed	30,7
		Sound pressure at 3m at Max speed Lp [dB (A)]	39,4

DIMENSIONS



Size A (mm)	188,5
Size B (mm)	211
Size C (mm)	303
Size D (mm)	96
Size E (mm)	101,5
Size F (mm)	189
Size G (mm)	90
Size H (mm)	80
Size L (mm)	60
Size M (mm)	5,5

PER INFORMAZIONI / FOR INFORMATION

ITALY

Pre Sales:
prevendita@vortice-italy.com
 After Sales:
postvendita@vortice-italy.com

UNITED KINGDOM & REP. OF

IRELAND
 Sales Dept:
sales@vortice.ltd.uk
 Technical Dept:
technical@vortice.ltd.uk

OTHER COUNTRIES

Sales Dept:
export@vortice-italy.com
 After Sales:
after-sales@vortice-italy.com

Technical Data Sheet

CODE 17144

LINEO 100

Mixed flow extractor fans

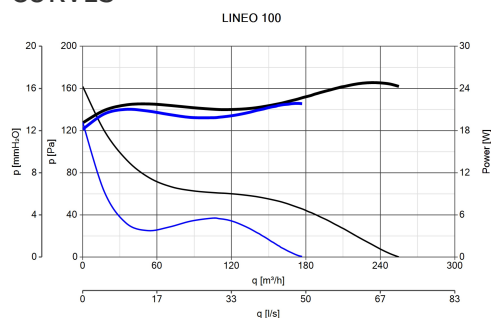


DESCRIPTION

- Enclosures made of fire resistant plastic resin, E2 class, according with ISO EN 11925-2: 2010, in areas close to motor and electrical components.
- Nominal diameter 100 mm.
- Induction motor, thermally protected, with shaft mounted on ball

- bearing supports, coupled with a centrifugal impeller.
- High water resistance: IPX5 (if installed in a duct).
- Speed adjustable through Vortice speed devices.

CURVES



ACCESSORIES



C PIR
Code 12998



C TEMP
Code 12992



C SMOKE
Code 12993



C HCS
Code 12994



C TIMER
Code 12999



DUO
Code 22914



LINEO-G 100
Code 22701



LINEO-PF 100
Code 22577



IN-LINE-S 100
Code 22551



LINEO-C 100
Code 22584



**C 1.5
(COMANDO EL.
1.5 A)**
Code 12966



**KIT SCB
(TRASF.E.C.)**

Code 22481

PER INFORMAZIONI / FOR INFORMATION

ITALY

Pre Sales:

prevendita@vortice-italy.com

After Sales:

postvendita@vortice-italy.com

**UNITED KINGDOM & REP. OF
IRELAND**

Sales Dept:

sales@vortice.ltd.uk

Technical Dept:

technical@vortice.ltd.uk

OTHER COUNTRIES

Sales Dept:

export@vortice-italy.com

After Sales:

after-sales@vortice-italy.com