

Technical Data Sheet

CODE 17148

LINEO 200 Q

Mixed flow extractor fans



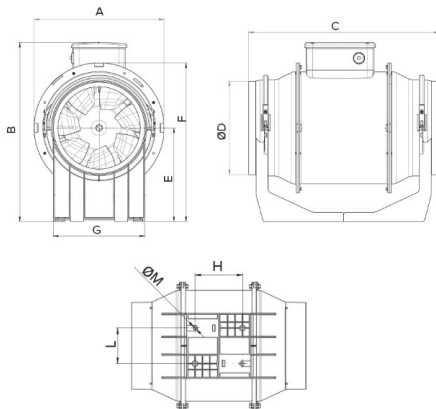
Certifications



TECHNICAL AND PERFORMANCE DATA

Frequency (Hz)	50	Airflow at 1st speed (l/s)	194,4
Insulation class	II°	Airflow at 1st speed (m³/h)	700
IP	44	Max airflow at Max speed (l/s)	263,9
Max absorbed current at Max speed (A)	0,37	Max airflow at Max speed (m³/h)	950
Max absorbed current at Min speed (A)	0,22	Max pressure at Max speed (mmH2O)	29
Max absorbed power at Max speed (W)	75	Max pressure at Max speed (Pa)	284,5
Max ambient temperature for continuous operation (°C)	60	Max RPM	2740
Nominal diameter (mm)	200	Min RPM	1780
Power absorbed at 1st speed (W)	45	Pressure at 1st speed (mmH2O)	13
Voltage (V)	220-240	Pressure at 1st speed (Pa)	127,5
Weight (Kg)	4,3	Sound pressure at 3 m - min speed Lp [dB (A)] 3m - min speed	39,6
		Sound pressure at 3m at Max speed Lp [dB (A)]	49,0

DIMENSIONS



Size A (mm)	234,5
Size B (mm)	266
Size C (mm)	300
Size D (mm)	196
Size E (mm)	125,5
Size F (mm)	235
Size G (mm)	140
Size H (mm)	100
Size L (mm)	94
Size M (mm)	5,5

PER INFORMAZIONI / FOR INFORMATION

ITALY

Pre Sales:

prevendita@vortice-italy.com

After Sales:

postvendita@vortice-italy.com

UNITED KINGDOM & REP. OF

IRELAND

Sales Dept:

sales@vortice.ltd.uk

Technical Dept:

technical@vortice.ltd.uk

OTHER COUNTRIES

Sales Dept:

export@vortice-italy.com

After Sales:

after-sales@vortice-italy.com

Technical Data Sheet

CODE 17148

LINEO 200 Q

Mixed flow extractor fans

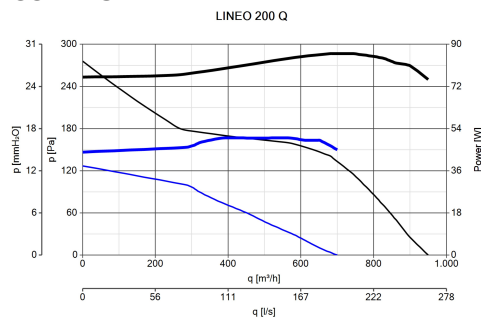


DESCRIPTION

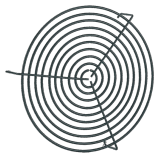
- Enclosures made of fire resistant plastic resin, E2 class, according with ISO EN 11925-2: 2010, in areas close to motor and electrical components.
- Nominal diameter 200 mm.
- Induction motor, thermally protected, with shaft mounted on ball

- bearing supports, coupled with a centrifugal impeller.
- High water resistance: IPX5 (if installed in a duct).
- Speed adjustable through Vortice speed devices.

CURVES



ACCESSORIES



LINEO-G 200

Code 22705



DUO

Code 22914



LINEO-SF 500

Code 22593



IREM D

Code 12867



C TEMP

Code 12992



C SMOKE

Code 12993



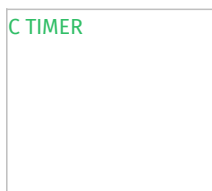
C HCS

Code 12994



C PIR

Code 12998



C TIMER

Code 12999



IN-LINE-S 200

Code 22566



LINEO-C 200

Code 22588



LINEO-PF 200

Code 22582



C 1.5 (COMANDO EL. 1.5 A)

Code 12966



KIT SCB (TRASF.E.C.)

Code 22481

PER INFORMAZIONI / FOR INFORMATION

ITALY

Pre Sales:

prevendita@vortice-italy.com

After Sales:

postvendita@vortice-italy.com

UNITED KINGDOM & REP. OF IRELAND

Sales Dept:

sales@vortice.ltd.uk

Technical Dept:

technical@vortice.ltd.uk

OTHER COUNTRIES

Sales Dept:

export@vortice-italy.com

After Sales:

after-sales@vortice-italy.com