



Condensing unit
Voltage Code : FZ

CAJN4461YHR-FZ

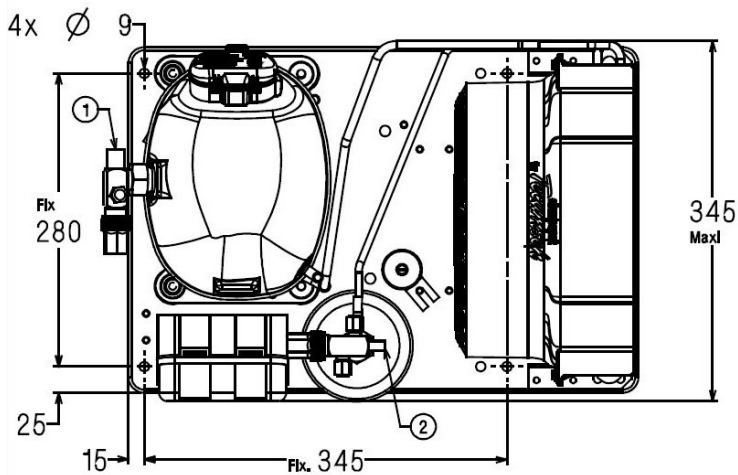
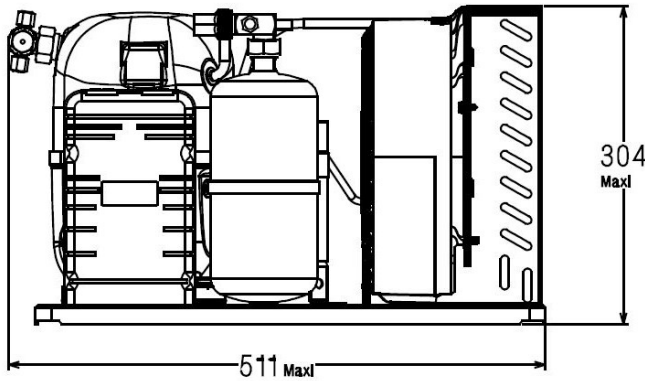
High Temp. Commercial (HP)

220 - 240V 1~ 50 Hz

R134a

CAJN4461YHR-FZ

Conditions	Frequency	Nominal Cooling Capacity		Sound Power ISO3745 / ISO 3743-1
		Watts	BTU/h	
EN13215 / R134a	50 Hz	740	2524	58 dBA



* EN13215 : T°Ambient 32.0°C / T°Evap. -10.0°C / T°Return gas temp.. 20.0°C
T°Subcooling. 3.0K

Net Weight (Kg)	29.0
Expansion device	Expansion_Valve
Air Flow (m³/h)	550
Compo Data Sheet	214ES-FZ
Elec Comp Type	CSIR
Current (Amp)	
Load Rated Amp	4.1
Max Cont Current	6
Lock Rotor Amp	19.1
Fan	
Speed (rpm)	1200
Power (W)	16.0
Diameter (mm)	250
Protection	Overload
IP Level	IP54
Condenser	250/2050
Liquid Receiver	
Capacity (L)	1.5
Maximum Pressure (Bars)	32.0
Suction Line	
Suction Type	Vanne Orientable
For Tubing Out Diam	12.7 (1/2")
Suction Connection Type	Brased
Liquid Line	
Liquid Line Type	Vanne Orientable
For Tubing Out Diam	6.35 (1/4")
Liquid Connecton Type	Brased
Connection Type	VR
Fan Guard	maille < à 8mm


Note : Tecumseh reserves the right to change information contained in this document without notification.



Tecumseh

CAJN4461YHR-FZ	Tension FZ : 220 - 240V 1~ 50 Hz
-----------------------	---

Les performances sont données dans les conditions EN13215 :	Gaz aspirés :	20.0 °C
Condition Dew	Sous refroidissement :	3.0 K
The performance data are in EN13215 conditions :	Return gas :	20.0 °C
Dew Condition	Subcooling :	3.0 K

50 Hz R134a											
											
										N°5036	
5 T ambience	6 T évaporation	(°C)	-25	-20	-15	-10	-5	0	5	10	15
25	1 P frigorifique	(Watt)	393	516	658	820	997	1188	1387	1591	1795
	2 P absorbée	(W)	325	374	427	483	545	614	692	780	880
	3 I absorbée	(A)	2.93	3.04	3.18	3.35	3.56	3.81	4.10	4.44	4.84
	4 Tc	(°C)	33.0	35.8	38.7	41.9	45.2	48.8	52.5	56.4	60.6
32	1 P frigorifique	(Watt)		464	594	740	899	1069	1246	1425	
	2 P absorbée	(W)		379	436	498	565	639	722	815	
	3 I absorbée	(A)		3.02	3.19	3.39	3.63	3.90	4.22	4.58	
	4 Tc	(°C)		41.7	44.5	47.5	50.7	54.1	57.7	61.4	
43	1 P frigorifique	(Watt)			494	617	748	886			
	2 P absorbée	(W)			444	513	589	673			
	3 I absorbée	(A)			3.20	3.45	3.73	4.04			
	4 Tc	(°C)			53.6	56.3	59.3	62.4			

© 2019 Tecumseh Products Company
All rights reserved

1 = cooling capacity 2 = power input 3 = current 4 = condensing temperature 5 = ambient temperature 6 = evaporating temperature

Nota : Tecumseh se réserve le droit de modifier les informations contenues dans ce document sans préavis.

Note : Tecumseh reserves the right to change information contained in this document without notification.