

# Condensing Unit Technical Data Sheet

**Model** CMS26FB\_N  
**Voltage** 220-240V 50Hz ~1  
**Refrigerant** R404A

## APPLICATION

Application	Low Back Pressure
Refrigerant	R404A
Evaporating Temp.	-40,0 °C to -10,0 °C
Expansion	Capillar/Valve
Comp. Cooling	Fan cooled
Max. ambient temp.	43,0 °C

## COMPRESSOR

Displacement	25,93 cm <sup>3</sup>
Diameter	39,98 mm
Stroke	20,65 mm
Oil type	ISO VG 46 ESTER
Oil charge	887 cm <sup>3</sup>

## MOTOR

Nominal Power	3/4 hp
Voltage/Frequency	220-240V 50Hz
Voltage range	187-255 V
Type	CSR
Phase number	1 PH
Locked Rotor Amps (LRA)	31,50 A
Max. Cont. Current (MCC)	7,30 A
Main W. resist. at 25°C	2,63 Ω
Start W. resist. at 25°C	6,29 Ω

## NOMINAL PERFORMANCE

Cooling Capacity	1.400 W
COP	1,59 W/W
EER	1,36 kCal/Wh
Input Power	883 W
Current	3,97 A

## ASHRAE

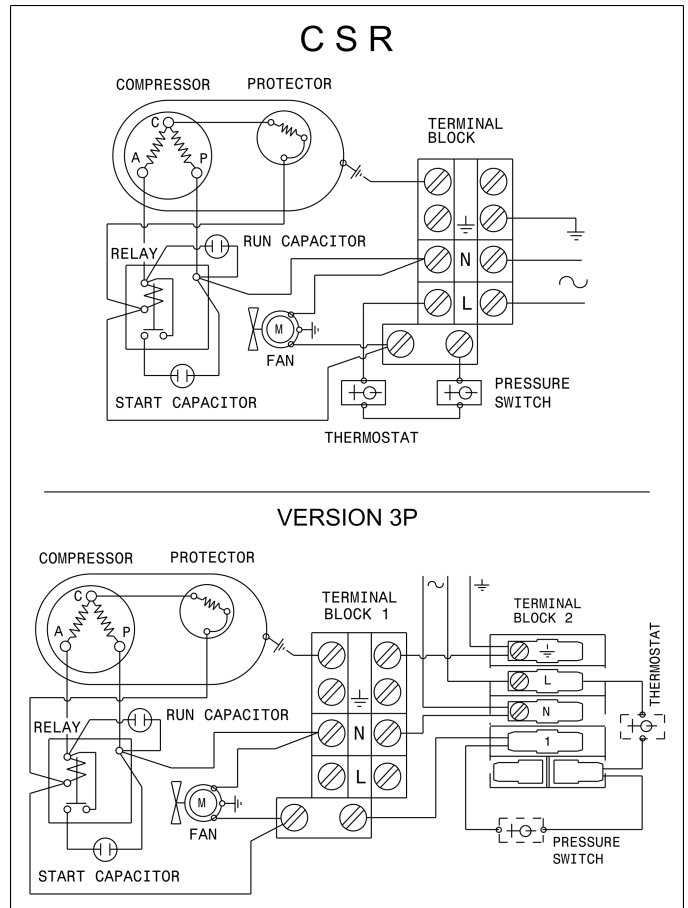
## TEST CYCLE CONDITIONS

	<b>LBP</b>
Evaporating temp. (T <sub>e</sub> )	-23,3 °C
Condensing temp. (T <sub>c</sub> )	55,0 °C
Liquid temp. (T <sub>liq.</sub> )	32,0 °C
Ambient temp. (T <sub>amb.</sub> )	32,0 °C
Suction temp. (T <sub>suction</sub> )	32,0 °C
Voltage/Frequency	220 V 50 Hz

## CONDENSER AND FAN DATA

Condenser type	CU-AL
Condenser model	12T 3R
Fan blade (Ø mm / °)	300 / 19
Fan motor	25W 220-240V 50/60Hz

## WIRING DIAGRAM



## REFRIGERATION CAPACITY (W) Evaporating Temperature (°C)

Model	Motor	-40	-35	-30	-25	-23.3			-10
						W	Winp	A	
CMS26FB_N	CSR	523	690	1028	1287	1400	883	3.97	2217

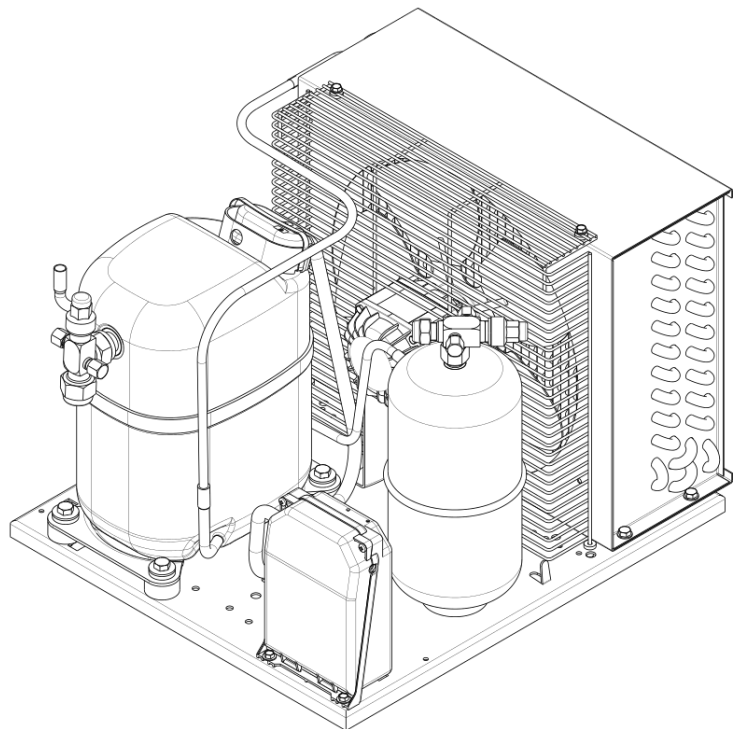
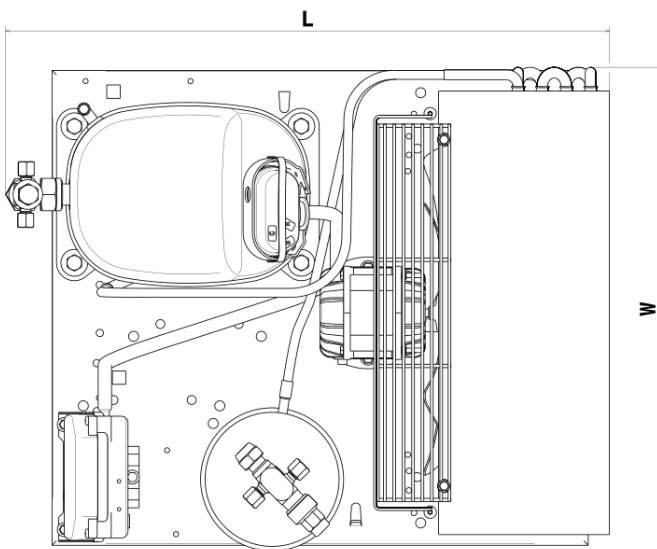
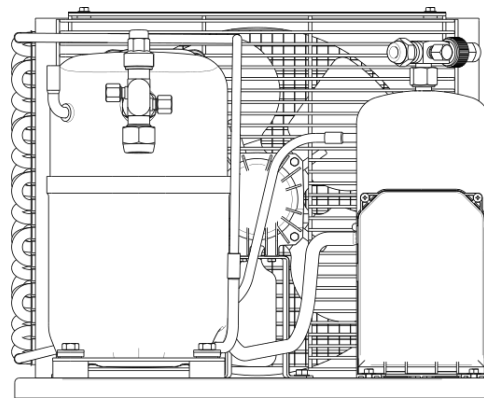
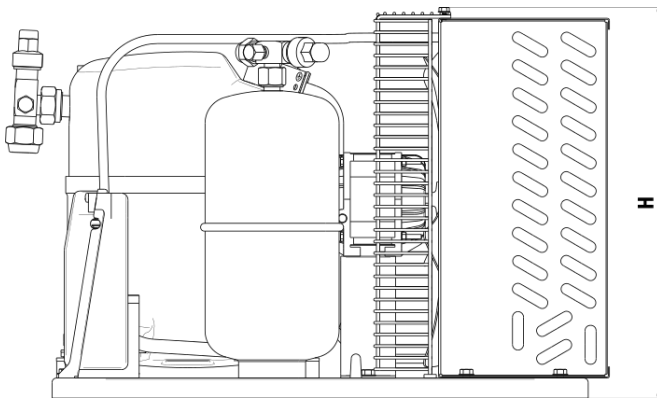
ASHRAE LBP: Condensing temperature: 55°C, Liquid temperature: 32°C, Suction temperature: 32°C, Ambient temperature: 32°C

# Condensing Unit Technical Data Sheet

## VERSIONS

VERSION 1	VERSION 2	VERSION 3	VERSION 3P	VERSION 4
<b>Tube</b>	<b>Service valve</b>	<b>Service valve and receiver</b>	<b>Service valve, receiver, pressure switch</b>	<b>Schrader valve on the service port</b>
Suction tube internal diam.: 12,7 mm Discharge tube internal diam.: 8,0 mm Net Weight: 36,5 Kg	Suction valve: 1/2" Discharge valve: 3/8" Net Weight: 37,4 Kg	Receiver vol.: 2,4 l Suction valve: 1/2" Discharge valve: 3/8" Net Weight: 39,0 Kg	Receiver vol.: 2,4 l Suction valve: 1/2" Discharge valve: 3/8" Net Weight: 40,1 Kg	Suction tube internal diam.: 12,7 mm Discharge tube internal diam.: 8,0 mm Net Weight: 36,5 Kg

## DIMENSIONS (Version 3 drawing)



VERSION 1-4 (WxLxH) (mm)	VERSION 2 (WxLxH) (mm)	VERSION 3 (WxLxH) (mm)	VERSION 3P (WxLxH) (mm)
430x485x355	430x525x355	430x525x355	430x525x355