

FB

for three phase alternating current, 4-4 pole

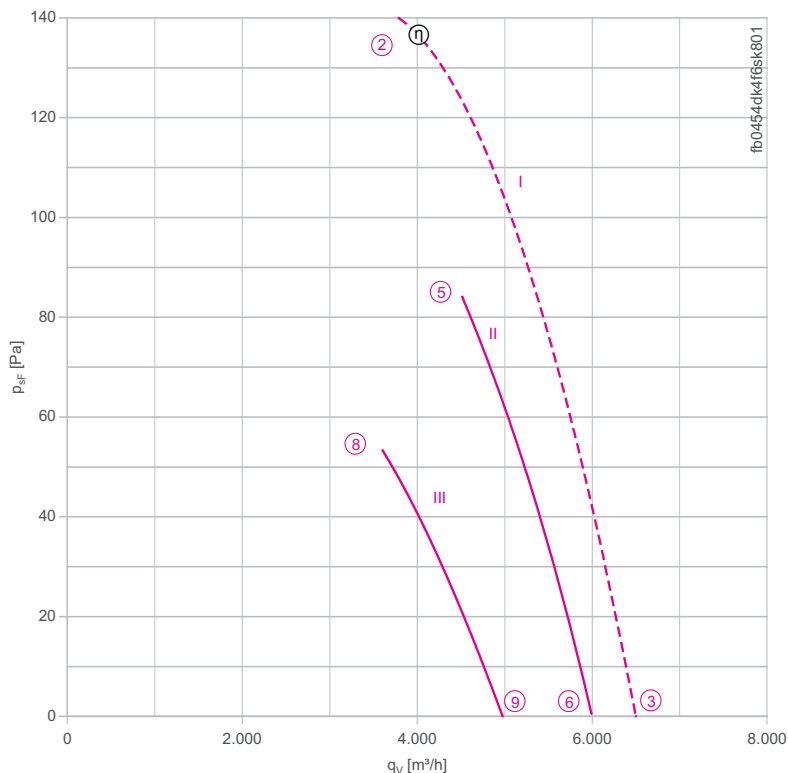
FBO45-VD



Description

Motor technology: AC
 Rated voltage U_N : 3- 400 V (Δ/Y) ± 10 %*
 Rated frequency f_N : 50 Hz*
 Input power P_i : 0.63/0.43 kW*
 Rated current I_N : 1.10/0.70 A*
 Rated speed n_N : 1330/ 970 min^{-1} *
 Starting current I_s : 4.00 / 1.20 A
 Current increase ΔI : 10 %
 Thermal class: THCL155*
 Min. permitted ambient temperature $t_{R(\text{min})}$: -40 °C
 Max. permitted ambient temperature $t_{R(\text{max})}$: 55 °C
 Electrical connection: Terminal box
 Number of blades: 4
 Protection class: IP54
 Motor protection: thermal contact
 Blades: Aluminium, uncoated
 Rotor: Aluminium, uncoated
 Conformity: ErP 2015, CE
ErP-data
 Efficiency η_{statA} : 32.0 %
 Efficiency: $N_{\text{actual}} = 40.0 / N_{\text{target}} = 40$ **
 * Rated data
 **ErP 2015

Characteristic curve



I) Measured in full bell mouth without guard grille in installation type A according to ISO 5801.
 II-x) Measured in short-bell mouth with compressed side contact protection.

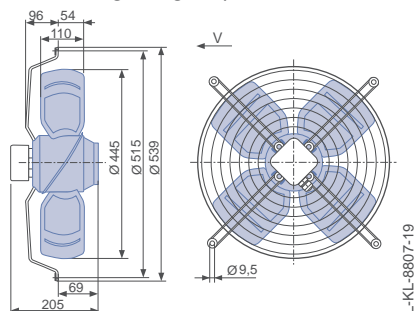
Connection diagram

Page 192
1360-108XA

Dimensions mm



Design K - axial bolted, mounted for short bell mouth, guard grille pressure side



Performance data

Type	Connection	Characteristic curve	Voltage	Operating point	Current	Input power	Speed	Suction side sound power level L_{WAS} dB(A)	Maximum ambient temperature t_R °C
			U V						
FB045-VD_4F.V4S	Δ	I	400*	②	1.10*	630*	1330*		55
			400	③	0.90	430	1380	81	
			400	⑤	0.92	460	1370	80	
		II	400	⑥	0.86	410	1390	77	70
			400	⑧	0.59	340	1100	75	
			400	⑨	0.54	310	1160	72	
	Y	III	400	⑧	0.59	340	1100	75	70
			400	⑨	0.54	310	1160	72	
			400	⑧	0.59	340	1100	75	

*rated data

Fan ordering information

Airflow direction V

Design K (guard grille pressure side)



Type FB045-VDK.4F.V4S
Article no. 124167

Weight kg 9.20

Control technology

Frequency inverter Fcontrol 3~

Motor protection units 3~

Electronic voltage controllers 3~

