

FB

for single phase alternating current, 6 pole

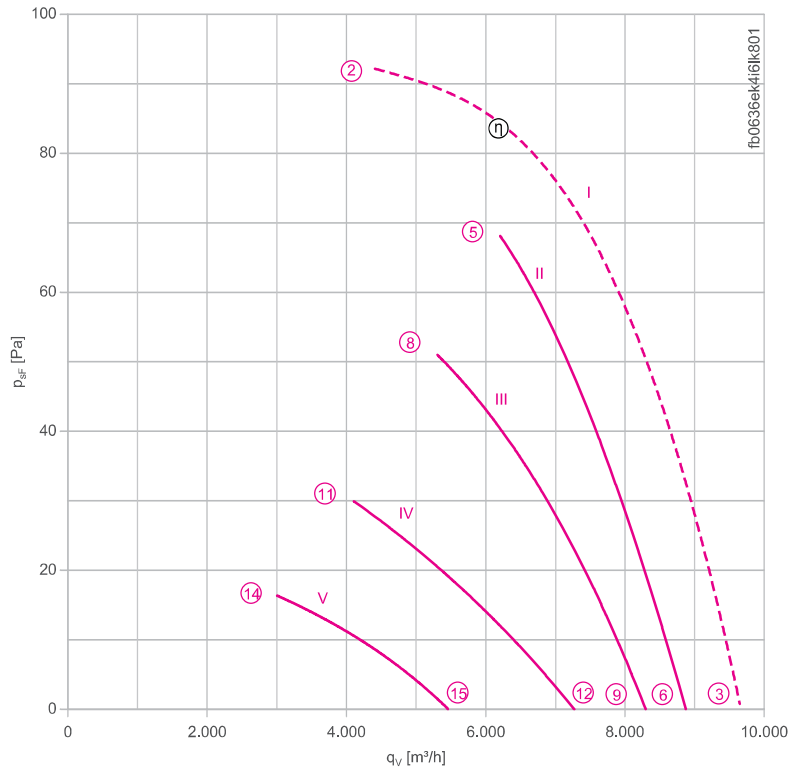
FBO63-6E



Description

Motor technology: AC
 Rated voltage U_N : 1~ 230 V \pm 10 %*
 Rated frequency f_N : 50 Hz* (60Hz data available)
 Input power P_1 : 0.47 kW*
 Rated current I_N : 2.30 A*
 Rated speed n_N : 920 min⁻¹*
 Starting current I_s : 5.50 A
 Current increase ΔI : 15 %
 Service capacitor C_{400V} : 10,0 μ F
 Thermal class: **THCL155***
 Min. permitted ambient temperature $t_{R(min)}$: -25 °C
 Max. permitted ambient temperature $t_{R(max)}$: 55 °C
 Electrical connection: Terminal box
 Number of blades: 4
 Protection class: IP54
 Motor protection: thermal contact
 Blades: Aluminium, uncoated
 Rotor: Aluminium, uncoated
 Conformity: ErP 2015, CE
ErP-data
 Efficiency η_{statA} : 33,1 %
 Efficiency: $N_{actual} = 41,4 / N_{target} = 40$ **
 * Rated data
 **ErP 2015

Characteristic curve



I) Measured in full bell mouth without guard grille in installation type A according to ISO 5801.
 II-x) Measured in short-bell mouth with compressed side contact protection.

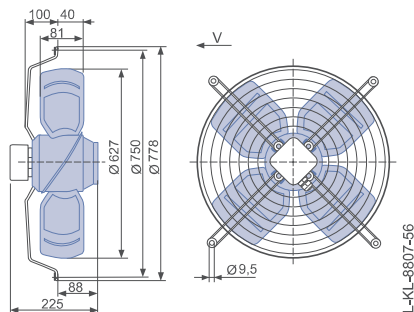
Connection diagram

Page 192
1360-104XA

Dimensions mm



Design K - axial bolted, mounted for short bell mouth, guard grille pressure side



Performance data


Type	Characteristic curve	Voltage	Operating point	Current	Input power	Speed	Suction side sound power level L_{WA5} dB(A)	Maximum ambient temperature t_{tr} °C
		U V		I A	P_1 W	n min ⁻¹		
FB063-6E_4I.V4L	I	230*	②	2,40*	520*	910*		55
		230	③	2,10	400	950	76	
	II	230	⑤	2,20	490	930	76	65
		230	⑥	1,95	410	950	74	
	III	160	⑧	2,40	370	800	71	
		160	⑨	1,90	300	880	72	
	IV	130	⑪	2,40	290	610	65	
		130	⑫	2,00	250	770	69	
	V	105	⑭	2,10	200	450	58	
		105	⑮	2,00	190	570	63	

*rated data

Fan ordering information

Airflow direction V

Design K (guard grille pressure side)



Type FB063-6EK.4I.V4L
Article no. 206837

Weight kg 12,80

Control technology

Frequency inverter Fcontrol 1~

Motor protection units 1~

Electronic voltage controllers 1~

