

FE2owlet

for single phase alternating current, 6 pole

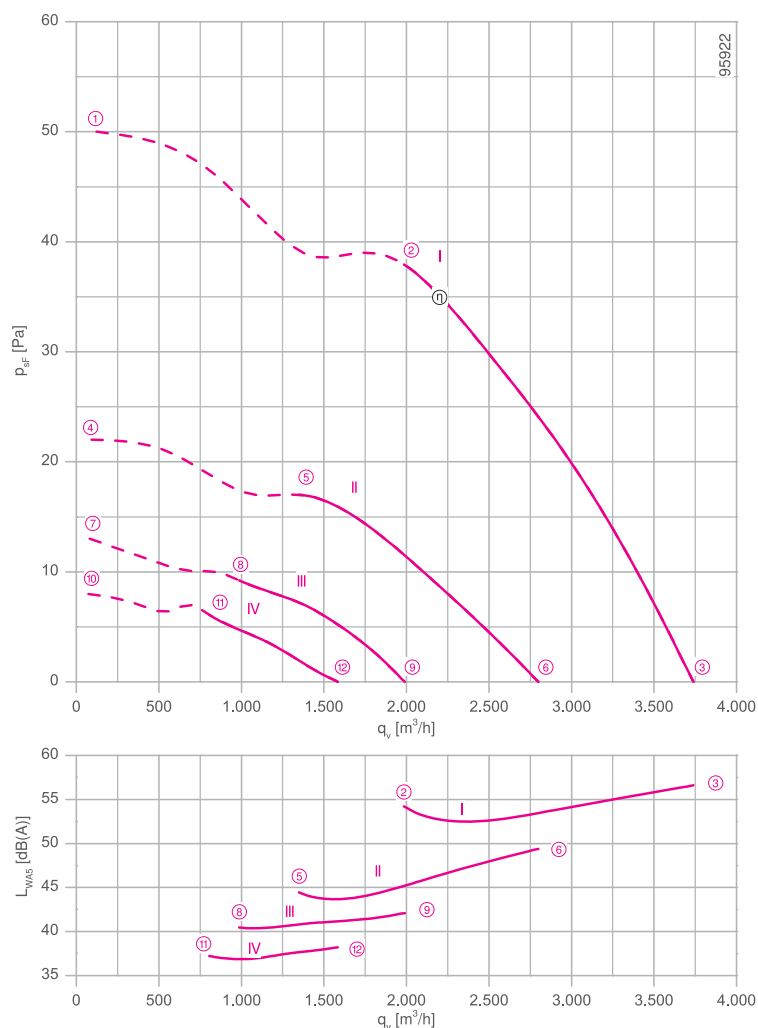
FNO45-6E



Description

- Motor technology: AC
- Rated voltage U_N : 1~ 230 V \pm 10 %*
- Rated frequency f_N : 50 Hz* (60Hz data available)
- Input power P_i : 120 W*
- Rated current I_N : 0.50 A*
- Rated speed n_N : 700 min $^{-1}$ *
- Starting current I_s : 0.65 A
- Current increase ΔI : 0 %
- Service capacitor C_{400V} : 3.0 μ F
- Thermal class: THCL155*
- Min. permitted ambient temperature $t_{R(min)}$: -25 °C
- Max. permitted ambient temperature $t_{R(max)}$: 70 °C
- Electrical connection: Terminal box
- Number of blades: 7
- Protection class: IP54
- Motor protection: thermal contact
- Blades: High Performance Composite Material, uncoated, black
- Rotor: Aluminium, 1 coat paint, jet black
- Conformity: CE
- ErP-data**
 Not subject to the regulations of ErP directive ($P_i < 125$ W)
- * Rated data

Characteristic curve



Measured in full bell mouth without guard grille in installation type A according to ISO 5801

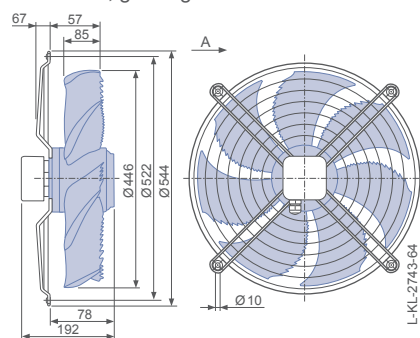
Connection diagram Page 531
 for airflow direction A 1360-104XB
 for airflow direction V 1360-104XA

System components Page 430

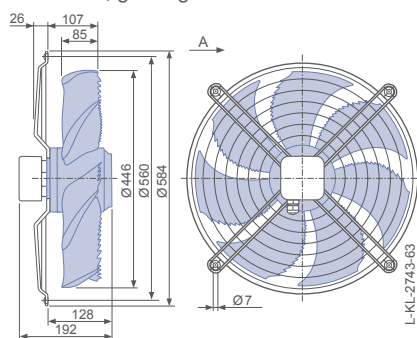
Dimensions mm

Airflow direction A

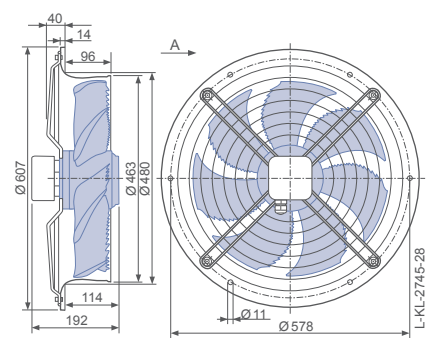
Design W - axial bolted, mounting for short bell mouth, guard grille suction side



Design D - axial bolted, suspension for full bell mouth, guard grille suction side



Design L - round full bell mouth, guard grille suction side



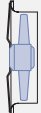





Performance data

Type	Characteristic curve	Voltage	Operating point	Current	Input power	Speed	Suction side sound power level
		U V		I A	P ₁ W	n min ⁻¹	L _{WA5} dB(A)
FN045-6E_2F_7P3	I	230	①	0.56	130	570	
		230*	②	0.50*	120*	700*	54
		230	③	0.46	100	790	57
	II	170	④	0.44	75	380	
		170	⑤	0.42	75	480	45
		170	⑥	0.40	70	590	49
	III	135	⑦	0.35	48	280	
		135	⑧	0.35	46	350	40
		135	⑨	0.34	46	430	42
	IV	110	⑩	0.29	32	220	
		110	⑪	0.29	32	270	37
		110	⑫	0.29	32	330	38

*rated data

Fan ordering information

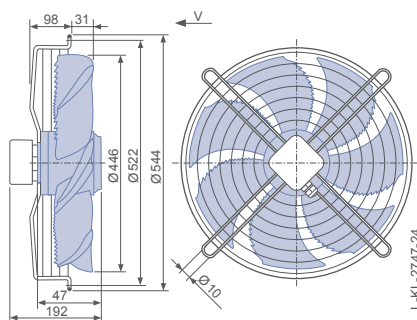
	Airflow direction A			Airflow direction V		
Design	W (guard grille suction side)	D (guard grille suction side)	L (guard grille suction side)	K (guard grille pressure side)	I (guard grille pressure side)	H (guard grille pressure side)
						
Type Article no.	FN045-6EW.2F.A7P3 160038	FN045-6ED.2F.A7P3 160036	FN045-6EL.2F.A7P3 160037	FN045-6EK.2F.V7P3 160042	FN045-6EI.2F.V7P3 160040	FN045-6EH.2F.V7P3 160041
Weight kg	6.30	6.10	9.50	6.50	6.10	9.50

Control technology

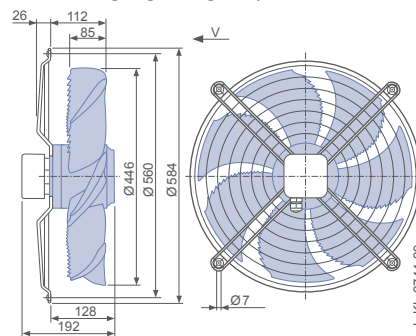
<p>Frequency inverters Control 1~</p>  <p>Page 474</p>	<p>Motor protection units 1~</p>  <p>Page 518</p>	<p>Electronic voltage controllers 1~</p>  <p>Page 492</p>
---	--	--

Airflow direction V

Design K - axial bolted, mounted for short bell mouth, guard grille pressure side



Design I - axial bolted, mounting for bell mouth flange, guard grille pressure side



Design H - pipe sockets with a flange, guard grille pressure side

