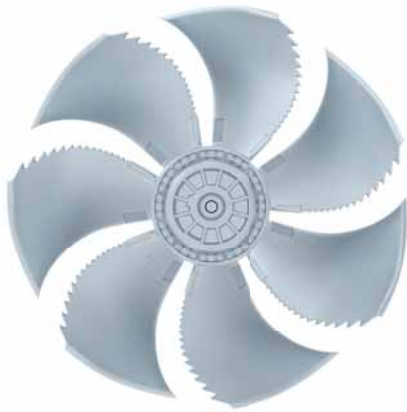


FE2owlet

for single phase alternating current, 6 pole

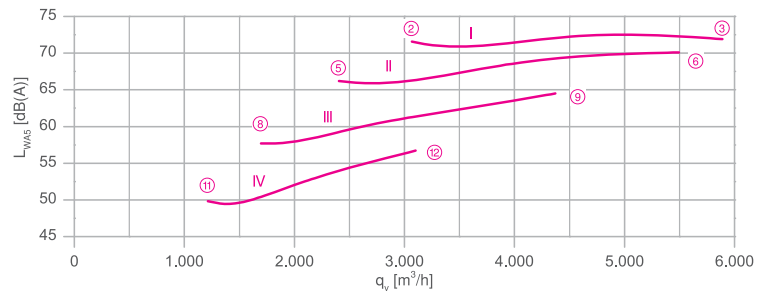
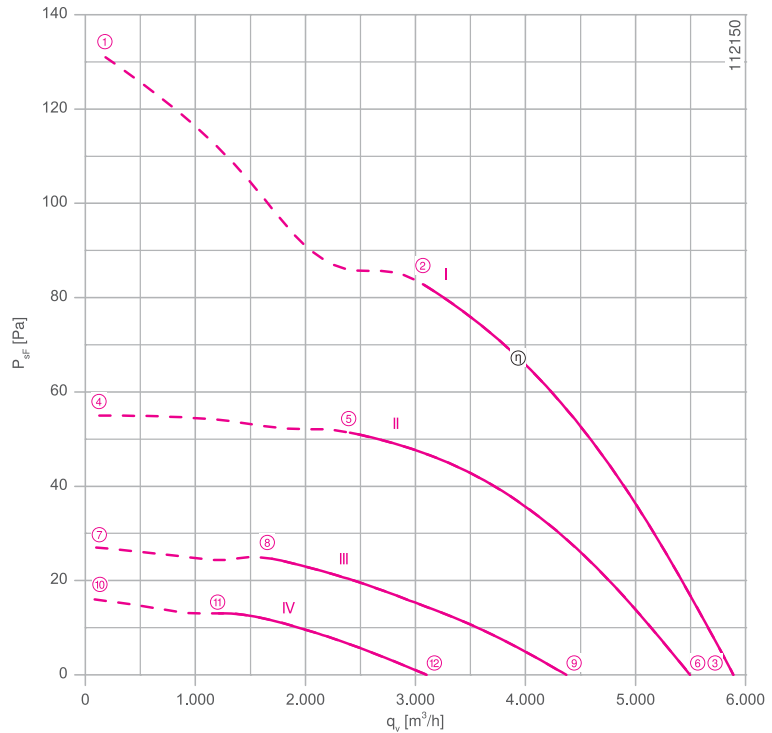
FN050-6E



Description

Motor technology: AC
 Rated voltage U_N : 1~ 230 V \pm 10 %*
 Rated frequency f_N : 50 Hz* (60Hz data available)
 Input power P_i : 270 W*
 Rated current I_N : 1.25 A*
 Rated speed n_N : 900 min⁻¹*
 Starting current I_s : 2.60 A
 Current increase ΔI : 15 %
 Service capacitor C_{400V} : 5.0 μ F
 Thermal class: **THCL155***
 Min. permitted ambient temperature $t_{R(min)}$: -25 °C
 Max. permitted ambient temperature $t_{R(max)}$: 70 °C
 Electrical connection: Terminal box
 Number of blades: 7
 Protection class: IP54
 Motor protection: thermal contact
 Blades: Aluminium, uncoated
 Rotor: Aluminium, uncoated
 Conformity: ErP 2015, CE
ErP-data
 Efficiency η_{statA} : 30.4 %
 Efficiency: $N_{actual} = 40.6 / N_{target} = 40$ **
 * Rated data
 **ErP 2015

Characteristic curve



Measured in full bell mouth without guard grille in installation type A according to ISO 5801

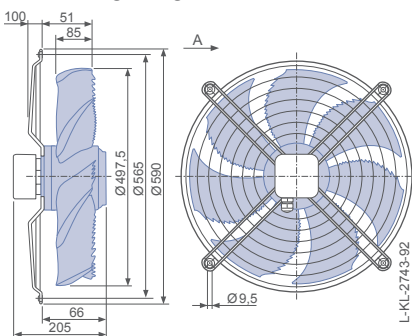
Connection diagram Page 531
 for airflow direction A 1360-104XB
 for airflow direction V 1360-104XA

System components Page 430

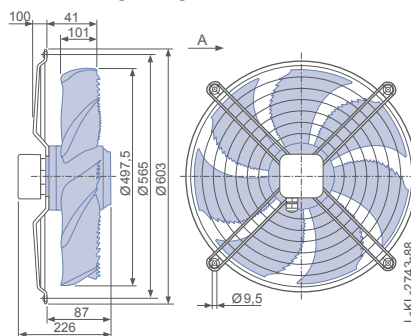
Dimensions mm

Airflow direction A

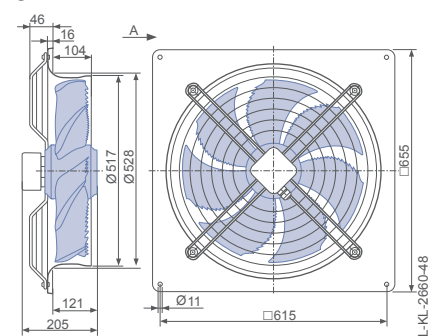
Design W - axial bolted, mounting for short bell mouth, guard grille suction side



Design W - axial bolted, mounting for short bell mouth, guard grille suction side



Design Q - square full bell mouth, guard grille suction side



Performance data

Type	Characteristic curve	Voltage	Operating point	Current	Input power	Speed	Suction side sound power level
		U V		I A	P ₁ W	n min ⁻¹	L _{WA5} dB(A)
FN050-6E_.4F_.7P3	I	230	①	1.60	340	830	
		230*	②	1.25*	270*	900*	72
		230	③	0.94	200	940	72
	II	170	④	1.60	240	550	
		170	⑤	1.40	210	710	66
		170	⑥	0.98	160	880	70
	III	135	⑦	1.35	150	380	
		135	⑧	1.30	150	490	58
		135	⑨	1.15	140	710	65
	IV	110	⑩	1.10	100	290	
		110	⑪	1.10	100	360	50
		110	⑫	1.05	100	500	57

*rated data

Fan ordering information

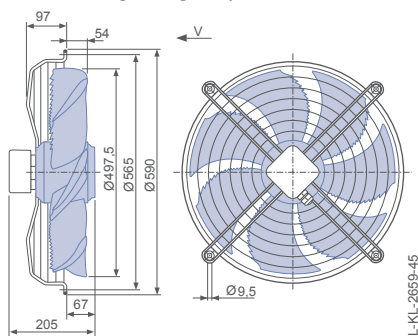
	Airflow direction A			Airflow direction V		
Design	W (guard grille suction side)	W (guard grille suction side)	Q (guard grille suction side)	K (guard grille pressure side)	F (without guard grille)	F (guard grille pressure side)
Type Article no.	FN050-6EW.4F.A7P3 167961	FN050-4EW.4I.A7P1 167953	FN050-6EQ.4F.A7P3 167960	FN050-6EK.4F.V7P3 167964	FN050-6EF.4F.V7P3 167965	FN050-6EF.4F.V7P3 167966
Weight kg	11.10	13.80	18.60	10.60	14.10	14.80

Control technology

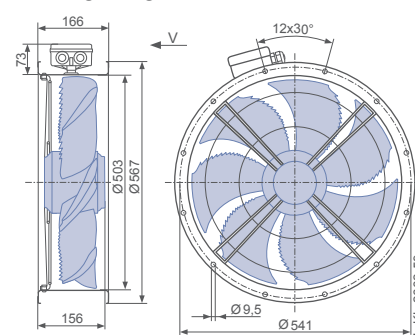
<p>Frequency inverters Fcontrol 1~</p> <p>Page 474</p>	<p>Motor protection units 1~</p> <p>Page 518</p>	<p>Electronic voltage controllers 1~</p> <p>Page 492</p>
--	--	--

Airflow direction V

Design K - axial bolted, mounted for short bell mouth, guard grille pressure side



Design F - flange ring with two flanges, without guard grille



Design F - flange ring with two flanges, guard grille pressure side

