

Technical Data Sheet

Compressor model **GE80TG**
 Voltage **220-240/230V 50/60Hz ~1**
 Refrigerant **R134a**

APPLICATION

Application High Back Pressure
 Refrigerant R134a
 Evaporating Temp. -15,0 °C to 10,0 °C
 Expansion Capillar/Valve
 Comp. Cooling Fan cooled
 Max. ambient temp. 43,0 °C
 Compatible refriger. R1234yf

COMPRESSOR

Displacement 8,10 cm³
 Diameter 24,28 mm
 Stroke 17,50 mm
 Net Weight 8,80 Kg
 Oil type ISO VG 22 ESTER
 Oil charge 220 cm³

MOTOR

Nominal Power 1/4 hp
 Voltage/Frequency 220-240V 50Hz
 Voltage range 187-264 V
 Type CSIR
 Phase number 1 PH
 Locked Rotor Amps (LRA) 14,70 A
 Main W. resist. at 25°C 9,60 Ω
 Start W. resist. at 25°C 24,50 Ω

NOMINAL PERFORMANCE

	ASHRAE	CECOMAF
Cooling Capacity	714 kCal/h	687 W
COP	2,20 W/W	1,89 W/W
EER	1,89 kCal/Wh	1,64 kCal/Wh
Input Power	377 W	362 W
Current	2,20 A	2,14 A

APPROVALS



TEST CYCLE CONDITIONS

	ASHRAE HBP (D)	CECOMAF HBP (C)
Evaporating temp. (T _e)	7,2 °C	5,0 °C
Condensing temp. (T _c)	55,0 °C	55,0 °C
Liquid temp. (T _{liq.})	46,0 °C	55,0 °C
Ambient temp. (T _{amb.})	35,0 °C	32,0 °C
Suction temp. (T _{suction})	35,0 °C	32,0 °C
Voltage/Frequency	220 V 50 Hz	220 V 50 Hz

ELECTRICAL COMPONENTS

Starting capacitor	60-61 µF 330 V			
Relay	Option 1			
Reference	QLZ-6.1A			
Pick-Up	6.1 A			
Drop-Out	5.2 A			
Protector	Option 1			
Reference	B96-105			
Current	9,60 A			
Time check	7,5-16 seg			
Disc temp. (Open/Close)	115,00 / 52,00 °C			

Technical Data Sheet

ASHRAE

Tc °C	Te °C	Cooling Capacity kCal/h	Consumption W	Current A	COP W/W	EER kCal/Wh
40	-15	326	255	1,81	1,49	1,28
40	-10	398	263	1,82	1,76	1,52
40	-5	493	274	1,85	2,09	1,80
40	0	610	291	1,90	2,44	2,10
40	5	750	311	1,96	2,80	2,41
40	7,2	819	322	1,99	2,96	2,54
40	10	913	337	2,04	3,15	2,71

45	-15	307	252	1,80	1,42	1,22
45	-10	376	264	1,83	1,65	1,42
45	-5	467	281	1,87	1,93	1,66
45	0	581	302	1,93	2,23	1,92
45	5	717	328	2,01	2,54	2,19
45	7,2	784	340	2,05	2,68	2,30
45	10	876	358	2,12	2,85	2,45

50	-15	288	249	1,80	1,35	1,16
50	-10	353	266	1,83	1,54	1,33
50	-5	441	288	1,89	1,78	1,53
50	0	551	314	1,96	2,04	1,76
50	5	683	344	2,07	2,31	1,99
50	7,2	749	359	2,12	2,43	2,09
50	10	839	379	2,21	2,58	2,21

55	-15	269	246	1,79	1,27	1,09
55	-10	330	268	1,84	1,43	1,23
55	-5	414	294	1,90	1,64	1,41
55	0	521	325	2,00	1,86	1,60
55	5	650	360	2,13	2,10	1,81
55	7,2	714	377	2,20	2,20	1,89
55	10	802	400	2,30	2,33	2,01

60	-15	250	243	1,78	1,20	1,03
60	-10	308	270	1,84	1,33	1,14
60	-5	388	301	1,92	1,50	1,29
60	0	491	336	2,04	1,70	1,46
60	5	617	376	2,20	1,91	1,64
60	7,2	679	395	2,28	2,00	1,72
60	10	765	421	2,41	2,11	1,82

65	-15	231	240	1,78	1,12	0,96
65	-10	285	272	1,85	1,22	1,05
65	-5	362	307	1,94	1,37	1,18
65	0	461	348	2,08	1,54	1,33
65	5	583	393	2,27	1,73	1,49
65	7,2	644	414	2,37	1,81	1,56
65	10	728	442	2,52	1,92	1,65

CECOMAF

Tc °C	Te °C	Cooling Capacity W	Consumption W	Current A	COP W/W	EER kCal/Wh
40	-15	351	256	1,81	1,37	1,18
40	-10	430	264	1,83	1,63	1,41
40	-5	532	276	1,86	1,93	1,67
40	0	658	292	1,90	2,25	1,94
40	5	808	313	1,96	2,58	2,23
40	7,2	881	324	2,00	2,72	2,35
40	10	981	339	2,05	2,90	2,50

45	-15	329	253	1,80	1,30	1,12
45	-10	403	266	1,83	1,52	1,31
45	-5	501	283	1,87	1,77	1,53
45	0	622	304	1,93	2,05	1,77
45	5	768	330	2,02	2,33	2,01
45	7,2	839	343	2,06	2,45	2,12
45	10	936	360	2,13	2,60	2,25

50	-15	307	250	1,80	1,23	1,06
50	-10	376	268	1,84	1,41	1,21
50	-5	470	289	1,89	1,62	1,40
50	0	586	315	1,97	1,86	1,61
50	5	727	346	2,08	2,10	1,82
50	7,2	797	361	2,13	2,21	1,91
50	10	891	381	2,22	2,34	2,02

55	-15	285	247	1,79	1,15	0,99
55	-10	350	269	1,84	1,30	1,12
55	-5	438	296	1,91	1,48	1,28
55	0	551	327	2,01	1,68	1,45
55	5	687	362	2,14	1,89	1,64
55	7,2	754	379	2,21	1,99	1,72
55	10	847	402	2,32	2,10	1,82

60	-15	262	244	1,79	1,07	0,93
60	-10	323	271	1,84	1,19	1,03
60	-5	407	303	1,93	1,34	1,16
60	0	515	338	2,05	1,52	1,31
60	5	646	379	2,21	1,71	1,47
60	7,2	712	398	2,29	1,79	1,55
60	10	802	423	2,42	1,89	1,64

65	-15	240	241	1,78	1,00	0,86
65	-10	296	273	1,85	1,08	0,94
65	-5	376	309	1,95	1,21	1,05
65	0	479	350	2,09	1,37	1,18
65	5	606	395	2,28	1,53	1,33
65	7,2	669	416	2,38	1,61	1,39
65	10	757	445	2,53	1,70	1,47

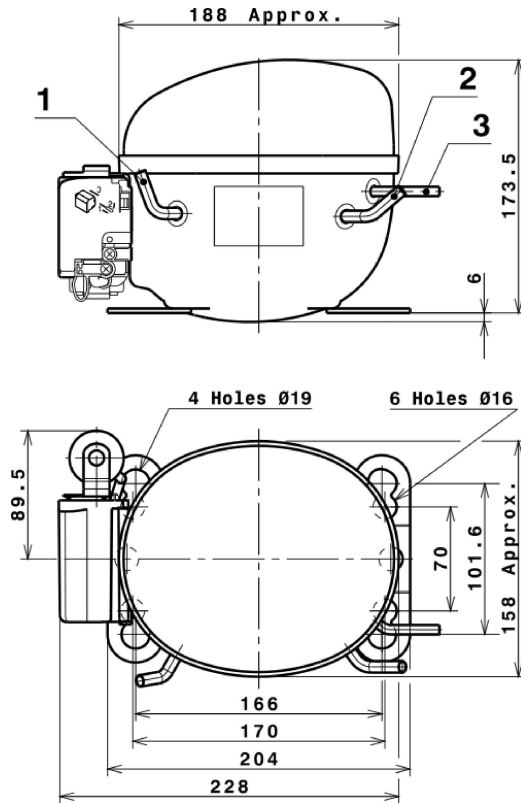
EN12900

X	Cooling Capacity (W)	Consumption (W)	Current (A)	Mass Flow (kg/h)
1	949,6716062760	205,4831849257	1,4906036406	15,167091901898
2	35,1572881973	-4,0230144247	-0,0154340389	0,61600020431823
3	-7,5024792783	2,3631578889	0,0099213779	-0,019040270459349
4	0,4662156625	0,0944381351	0,0006904352	0,013509374318494
5	-0,1970732496	0,1987018495	0,0007501199	0,00093507081752188

Equation	$x_1 + x_2Te + x_3Tc + x_4Te^2 + x_5TeTc$
----------	---

Technical Data Sheet

COMPRESSOR DIMENSIONS

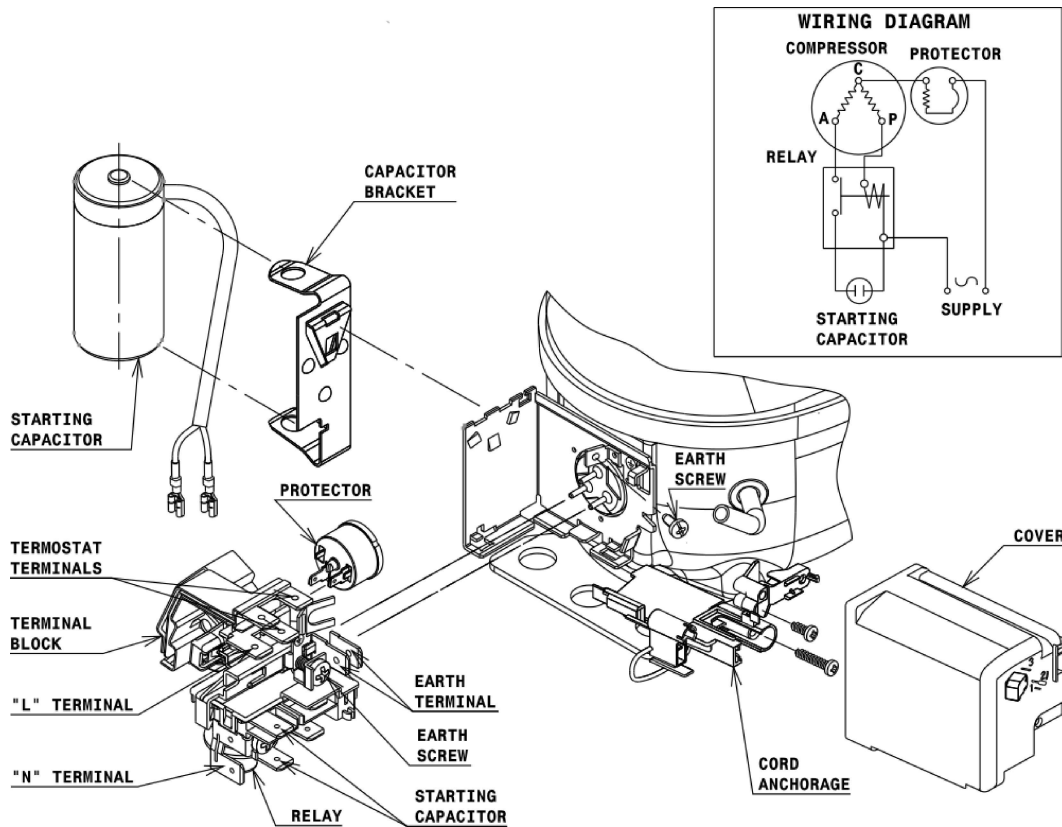


DESIGNATION INTERNAL DIAM.

DESIGNATION	INTERNAL DIAM.
1	Service 6,2 mm
2	Suction 6,2 mm
3	Discharge 4,9 mm

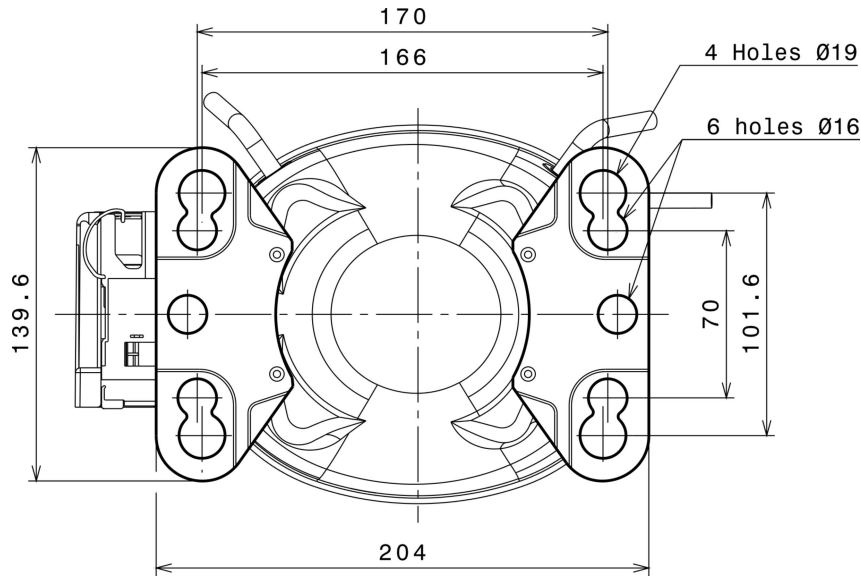
WIRING DIAGRAMS AND ELECTRICAL ASSEMBLY

CSIR CONNECTION (U range)



Technical Data Sheet

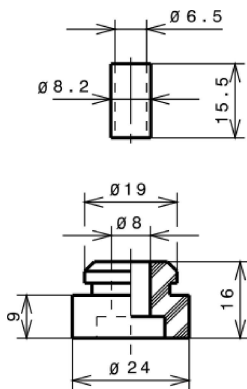
FIXINGS



SILENT BLOCKS (MOUNTING ACCESSORIES)

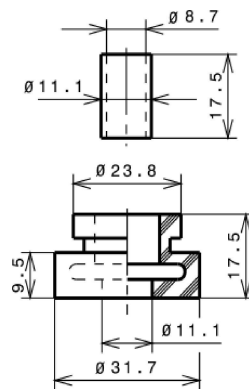
STANDARD

Ø16 holes (170x70 net)



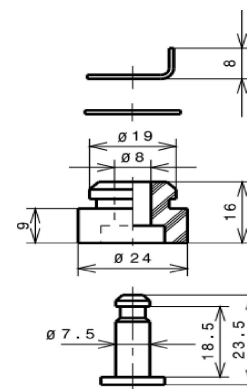
AMERICAN FEET

Ø19 holes (166x101.6 net)



SNAP-ON

Ø16 holes (170x70 net)



SOA

SOA R134a HBP

