

NLE15KK.2

Energy-optimized Compressor

R600a

220-240V 50Hz

Data Sheet (Replaces CD.53.H1.02)

General

Compressor	NLE15KK.2
Code number	105H6955

Application

Application		LBP
Evaporating temperature range	°C	-35 to -10
Voltage range	V/Hz	198 - 254 /50
Motor type		RSIR/RSCR
Max. ambient temperature	°C	38
Comp. cooling at ambient temp.	32°C	S
	38°C	S

Design

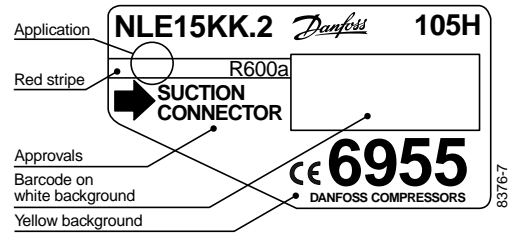
Displacement	cm ³	14.65
Oil quantity	cm ³	270
Maximum refrigerant charge	g	150
Free gas vol. in compressor	cm ³	2310
Weight without electrical equipment	kg	10.0

Motor

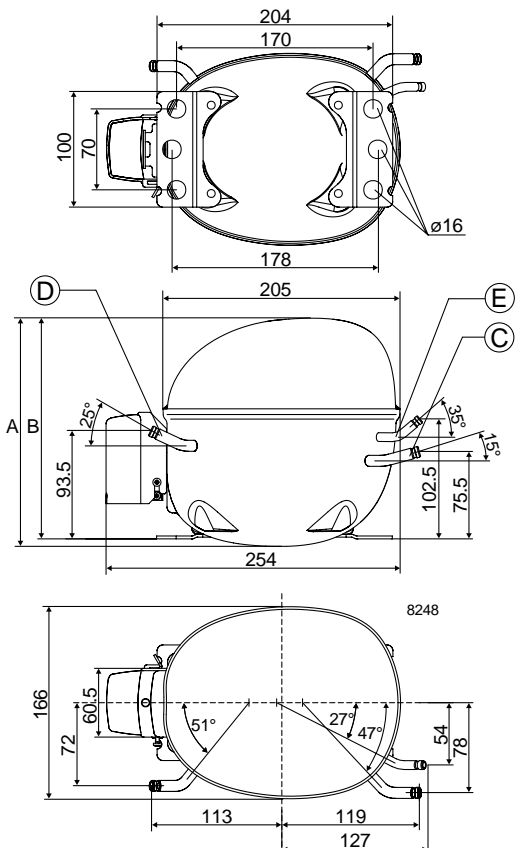
Motor size	watt	175
LRA (rated after 4 sec. UL984) LST	A	6.6
Cut-in current LST	A	10.9
Resistance, main and start winding (25°C)	Ω	10.7/13.0
Approvals		EN 60335-2-34 with Annex AA

Dimensions

Height	mm	A	197
		B	191
Suction connector	location/I.D. mm	C	6.2 ±0.09
Process connector	location/I.D. mm	D	6.2 ±0.09
Discharge connector	location/I.D. mm	E	5.0 +0.12/+0.20
Compressors on a pallet	pcs.		80



- S = Static cooling normally sufficient
- O = Oil cooling
- F₁ = Fan cooling 1.5 m/s
(compressor compartment temperature equal to ambient temperature)
- F₂ = Fan cooling 3.0 m/s necessary



Capacity (EN 12900/CECOMAF)

watt

Comp.°C	-35	-30	-25	-23.3	-20	-15	-10
NLE15KK.2	95	130	172	188	223	284	357

Capacity (ASHRAE)

watt

Comp.°C	-35	-30	-25	-23.3	-20	-15	-10
NLE15KK.2	116	158	209	229	271	346	435

Power consumption

watt

Comp.°C	-35	-30	-25	-23.3	-20	-15	-10
NLE15KK.2	111	135	159	167	182	205	229

Current consumption

A

Comp.°C	-35	-30	-25	-23.3	-20	-15	-10
NLE15KK.2	0.96	1.04	1.11	1.12	1.15	1.19	1.20

COP (EN 12900/CECOMAF)

W/W

Comp.°C	-35	-30	-25	-23.3	-20	-15	-10
NLE15KK.2	0.86	0.96	1.08	1.13	1.23	1.39	1.56

COP (ASHRAE)

W/W

Comp.°C	-35	-30	-25	-23.3	-20	-15	-10
NLE15KK.2	1.05	1.17	1.32	1.37	1.49	1.69	1.90

Test conditions	EN 12900/CECOMAF	ASHRAE
Condensing temperature	55°C	55°C
Ambient and suction gas temp.	32°C	32°C
Liquid temperature	55°C	32°C
Static cooling, 220V 50Hz,		
PTC consumption incl.		

Accessories

Devices	Fig.	NLE15KK.2
PTC starting device 6.3 mm spades	a1	103N0011
		103N0018
PTC starting device 4.8 mm spades	(pos.1)	103N0016
		103N0021
PTC starting device 6.3 mm spades	a1	103N0016
PTC starting device 4.8 mm spades	(pos.2)	103N0021
Cover	b	103N2010
Cord relief	d	103N1010
Run capacitor 4 µF (optional)	e	117-7117
		117-7119
Protection screen for PTC	g	103N0476
Mounting accessories		
Bolt joint for one compressor		118-1917
Bolt joint in quantities		118-1918
Snap-on in quantities		118-1919

