

EC centrifugal fans – RadiPac

backward curved, Ø 560



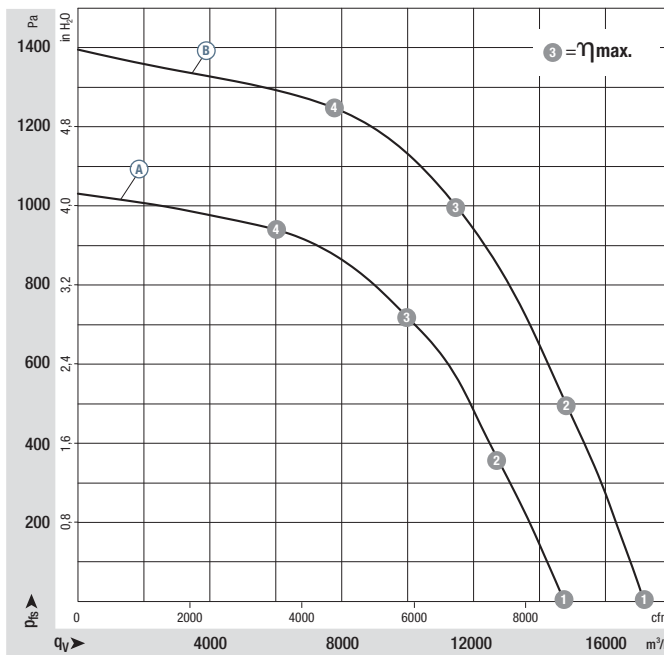
- **Material:** Support bracket: Steel, coated in black; Support plate and inlet nozzle: Sheet steel, galvanised; Cube design with inlet nozzle: Sheet steel, galvanised and plastic-coated in light grey (RAL 7035)
Impeller: Sheet aluminium
Rotor: Coated in black; Electronics enclosure: Die-cast aluminium
- **Number of blades:** 7
- **Direction of rotation:** Clockwise, seen on rotor
- **Type of protection:** IP 54 (acc. to EN 60529)
- **Insulation class:** "F"
- **Mounting position:** Shaft horizontal or rotor on bottom; rotor on top on request
- **Condensate discharges:** Rotor-side
- **Mode of operation:** Continuous operation (S1)
- **Bearings:** Maintenance-free ball bearings

Nominal data		Curve	Nominal voltage range	Frequency	Speed/rpm ⁽¹⁾	Max. input power ⁽¹⁾	Max. current draw ⁽¹⁾	Perm. amb. temp.	Technical features and electr. connection
Type	Motor	VAC	Hz	rpm	W	A	°C		
*3G 560	M3G 150-IF	Ⓐ 3~	380-480	50/60	1500	3000	4,60	-25..+50	p. 89 / M3)
*3G 560	M3G 150-NA	Ⓑ 3~	380-480	50/60	1750	4700	7,30	-25..+40	p. 89 / M3)

subject to alterations

(1) Nominal data in operating point with maximum load and 400 VAC

Curves



	n rpm	P _{ed} W	I A	L _{WA} dB(A)
Ⓐ ①	1500	1952	2,98	90
Ⓐ ②	1500	2481	3,77	86
Ⓐ ③	1500	3000	4,60	80
Ⓐ ④	1500	2754	4,18	83
Ⓑ ①	1750	3032	4,77	97
Ⓑ ②	1750	3929	6,10	91
Ⓑ ③	1750	4700	7,30	84
Ⓑ ④	1750	4366	6,71	86

Air performance measured as per: ISO 5801, Installation category A, with ebm-papst inlet nozzle without protection against accidental contact. Suction-side noise levels: L_{WA} as per ISO 13347, L_{WA} measured at 1 m distance to fan axis. The acoustic values given are only valid under the measurement conditions listed and may vary depending on the installation situation. With any deviation to the standard setup, the specific values have to be checked and reviewed once installed or fitted! For detailed information see page 94 ff.

- **Technical features:** See electrical connections p. 89
- **EMC:** Interference emission acc. to EN 61000-6-3
Interference immunity acc. to EN 61000-6-2
Harmonics acc. to EN 61000-3-2/3
- **Touch current:** : < 3,5 mA acc. to IEC 60990 (test circuit, illustration 4)
- **Terminal box design:** Electrical connection via terminal strip
- **Protection class:** I (if customer has provided connection for protective earth)
- **Product conforming to standards:** EN 61800-5-1, CE
- **Approvals:** UL, CSA, GOST

Centrifugal fan	kg	Inlet nozzle with one pressure tap	Centrifugal module w. support bracket	kg	Centrifugal module w. supp. bracket ⁽²⁾	kg	Centrifugal module with cube design	kg
R3G 560-AP23 -01	30,5	64030-2-4013	K3G 560-AP23 -01	56,1	K3G 560-AP23 -31	56,1	K3G 560-AP23 -02	74,0
R3G 560-AQ04 -01	40,0	64030-2-4013	K3G 560-AQ04 -01	69,7	K3G 560-AQ04 -31	69,7	K3G 560-AQ04 -02	86,5

(2) Centrifugal module with higher protection against corrosion

EC centrifugal fans – RadiPac

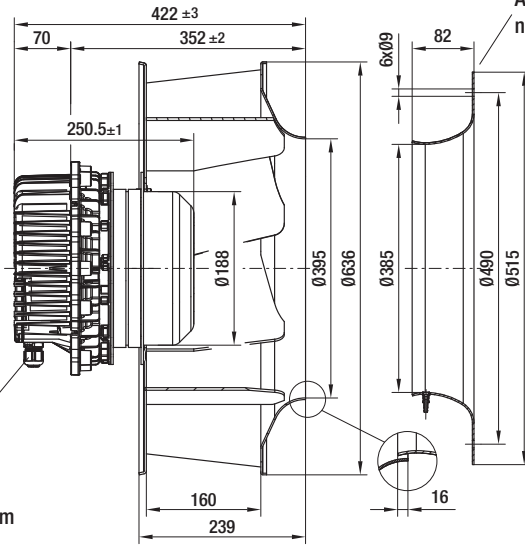
backward curved, Ø 560



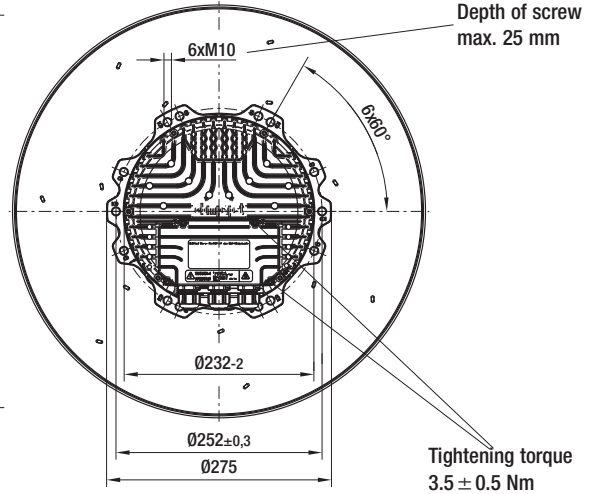
R3G 560-AP23-01 (Centrifugal fan)



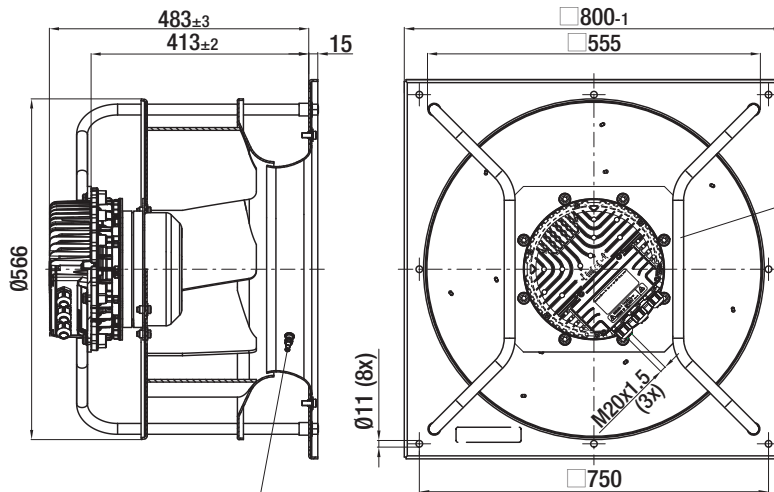
Cable gland M20x1,5 (3x):
Cable diameter
min. 4 mm, max. 10 mm,
tightening torque 4 ± 0.6 Nm



Accessory part: Inlet nozzle 64030-2-4013
not included in the standard scope of delivery (k-value: 348)



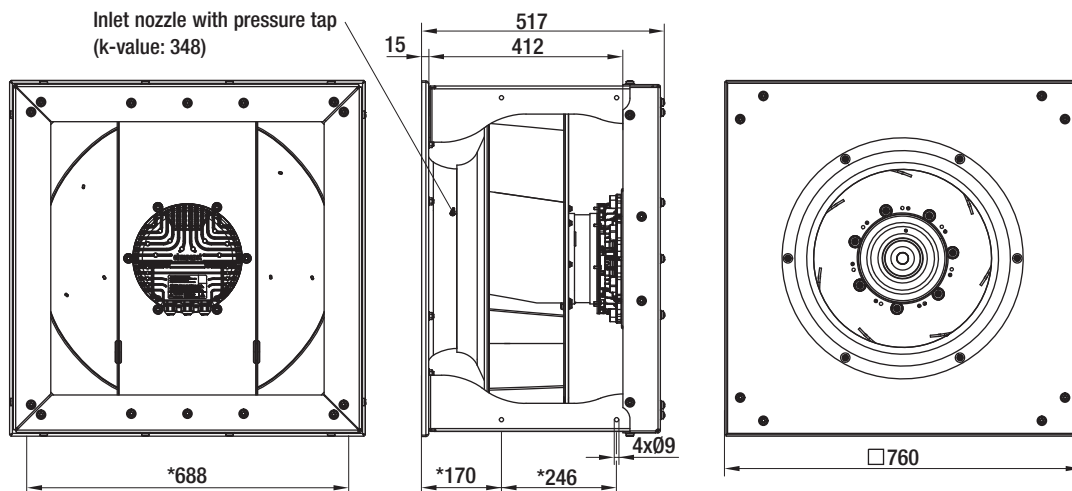
K3G 560-AP23-01 / -31 (Centrifugal module with support bracket)



Pressure tap (k-value: 348)

Observe the correct mounting position!
Install the support struts only as shown in the view!

K3G 560-AP23-02 (Centrifugal module with cube design)



* Screw-on position for rubber mounting respectively spring elements; with horizontal shaft position, only direct installation on the floor possible and permitted.