



SPECIFICATIONS for LG HERMETIC COMPRESSOR

R410A

G K 0 9 4 P

1PH, 220/240V – 50Hz

Application Range

Compressor Cooling	Natural
Eva. Temp. Range	-10°C ~ 12°C
Condensing Temp.	65°C max.
Return Gas Temp.	35°C max.
Discharge gas Temp.	115°C max.
Motor Wire Temp.	130°C max.
Compressor Temp.	14°F ~ 54°F
Condensing Temp.	149°F max.
Return Gas Temp.	95°F max.
Discharge gas Temp.	239°F max.
Motor Wire Temp.	266°F max.

Rated Performance

Capacity	7,750 / 7,850 Btu/h	2,271 / 2,300 W
Motor Input	807 / 826 W	
Current	3.7 / 3.5 A	
EER	9.6 / 9.5 Btu/W.h	2.81 / 2.78 W/W

Compressor Data

Design	Rolling Piston Typed Rotary
Displacement	9.4 cc/rev
Oil / Oil Charge	PVE (FVC 68D) / 330 cc
Weight	11.48 Kg
	25.3 lb

Motor Data

Motor Type	2 Pole Induction (PSC)
Voltage Range	198 V to 264 V
Locked Rotor Amps.	18.7 A

Electrical Components

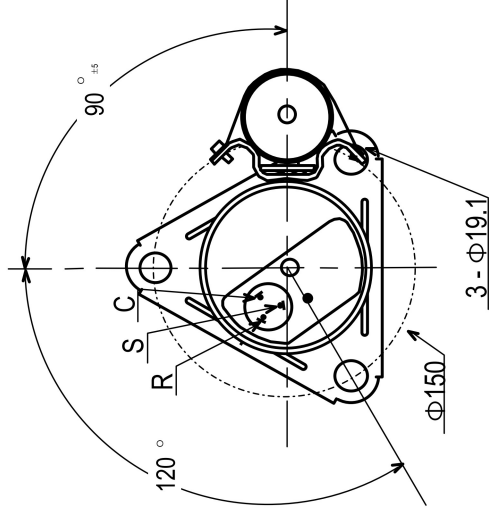
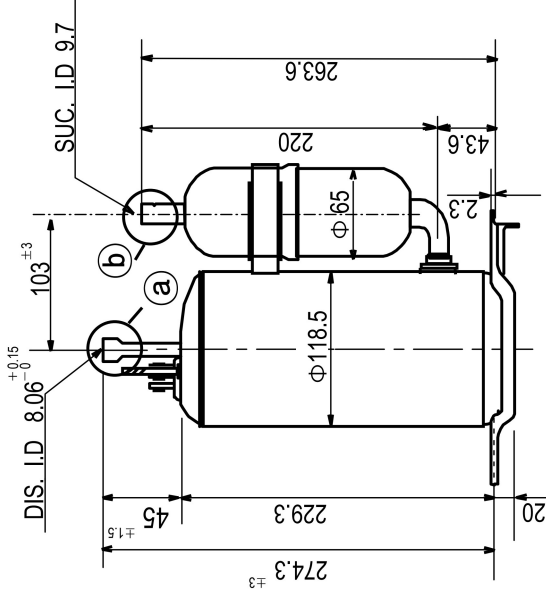
Running Capacitor	30 µF 370 VAC
Overload Protector	MRA12130 – 12026 (Texas Instruments)

Capacity Test Conditions

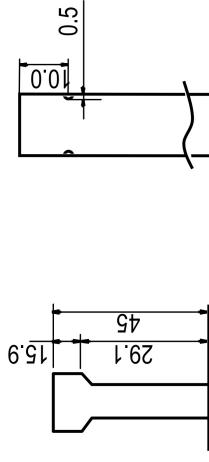
Evaporating Temp.	7.2°C	45°F
Condensing Temp.	54.4°C	130°F
Return Gas Temp.	35.0°C	95°F
Liquid Temp.	46.1°C	115°F
Ambient Temp.	35.0°C	95°F

Specifications are subject to change without notice.
Normal Performance value ±5%.

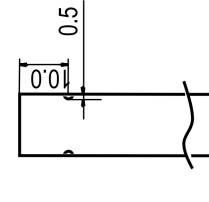
Standard Dimensions



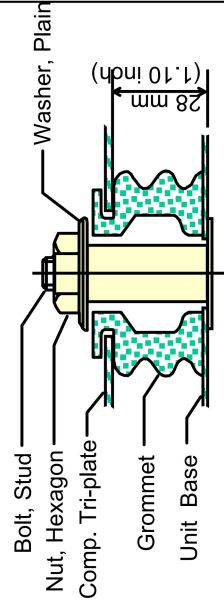
Detail of ①



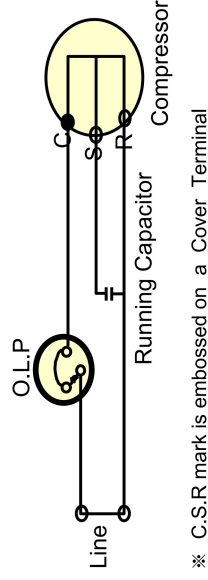
Detail of ②



Compressor Mounting



Wiring Diagram



* C.S.R mark is embossed on a Cover Terminal